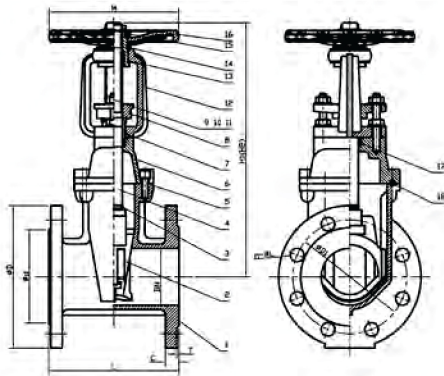




Body	EN-GJS-450-10
Stem	SS 420
Disc	EN-GJS-450-10 + EPDM
O-Ring	NBR (EPDM Optional)
Connection	Flange-Flange, Flange-Grooved, Grooved-Grooved
Flange	DIN EN 1092-2:1997
Grooved Ends	ISO 6182
Max. Operating Temp.	80 °C
Max. Operating Pressure	PN 10/16
Coating	Fusion Bonded Epoxy coating in accordance with ANSI/AWWA C550
Sizes	DN 40 (1½") - DN 400 (16")

MATERIAL SPECIFICATION

Part No.	Part	Standard Specification	Options
1	Valve Body	EN-GJS-450-10	
2	Resilient Wedge Disc	EN-GJS-450-10+EPDM	
3	O-Ring	NBR	EPDM
4	Stem	SS420	SS304, SS316, SS431, Al-bronze
5	Nut	Carbon Steel Zinc Plated	SS304, SS316
6	Bonnet	EN-GJS-450-10	
7	Stem Bushing	Brass HPb59-1	
8	Gland	EN-GJS-450-10	
9	Flat Washer	Carbon Steel Zinc Plated	SS304, SS316
10	Stud	Carbon Steel Zinc Plated	SS304, SS316
11	Nut	Carbon Steel Zinc Plated	SS304, SS316
12	Yoke	EN-GJS-450-10	
13	Stem Nut	Brass HPb59-1	
14	Washer	Brass HPb59-1	SS304, SS316
15	Locknut	Carbon Steel Zinc Plated	
16	Handwheel	EN-GJS-450-10	Pressed Steel
17	Stem Packing	NBR	EPDM
18	Bonnet Gasket	EPDM	NBR



Note: For special material request other than standard specification, please indicate clearly on the inquiry or order list.

DN		PN	Dimensions(mm)										
Inch	mm		L(F4)	L(F5)	H1(Close)	H2(open)	D	D1	d	C	T	M	n-ΦL
1.5"	40	10/16	140	—	257	307	150	110	84	19	3	180	4-Φ18
2"	50	10/16	150	250	257	307	165	125	99	19	3	180	4-Φ18
2.5"	65	10/16	170	270	305	370	185	145	118	19	3	180	4-Φ18
3"	80	10/16	180	280	350	430	200	160	132	19	3	200	8-Φ18
4"	100	10/16	190	300	422	522	220	180	156	19	3	254	8-Φ18
5"	125	10/16	200	325	515	640	250	210	184	19	3	280	8-Φ18
6"	150	10/16	210	350	563	713	285	240	211	19	3	305	8-Φ22
8"	200	10	230	400	675	875	340	295	266	20	3	350	8-Φ22
		16											12-Φ22
10"	250	10	250	450	905	1155	405	350	319	22	3	450	12-Φ22
		355						12-Φ26					
12"	300	10	270	500	1030	1330	460	400	370	24.5	4	450	12-Φ22
		410						12-Φ26					
14"	350	10	290	550	1210	1560	520	460	429	26.5	4	500	16-Φ22
		470						16-Φ26					
16"	400	10	310	—	1280	1680	580	515	480	28	4	500	16-Φ26
		525						16-Φ31					