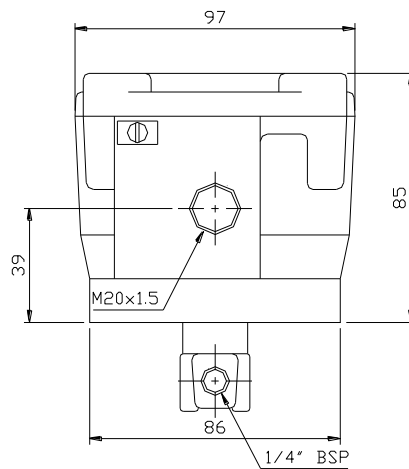
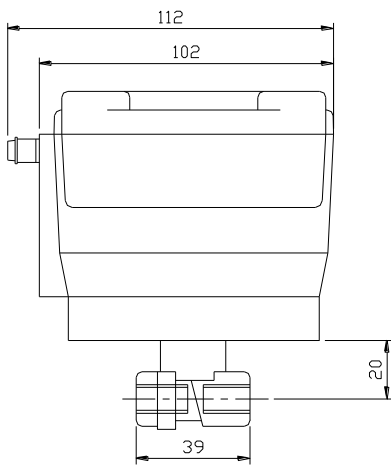
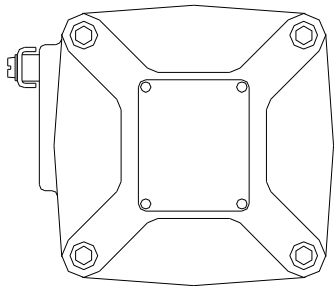


# TSP DATA SHEET

**Description:** Flameproof Electrical Actuator (ATEX)



<b>Specification:</b>	<p>Solenoid Enclosure:                  Power Requirement:                  Power Consumption:                  Conduit Thread:                  Safety Requirement:</p> <p>Pressure Range:                  Proof Pressure:                  Connection:                  Inlet Port Ref No:                  Cap Screw Torque Range:                  Peak Ambient Temperature:                  Max Ambient Temperature:                  Weight:                  Conforms to:                  Approved Location:                  Zone Classification:                  Gas Group:                  Temperature Class:                  Ingress Protection Class</p>	<p>Epoxy Coated Die-cast Aluminium                  24v dc                  11.2 watts                  M20 x 1.5                  EExd Certified to EN50014 &amp; EN50018 (EN50281-1-1)                  0 - 35 bar                  150 bar @ 35 bar Differential                  Brass 1/4" BSPP Female                  1                  1.4 - 2.1 Nm                  75°C                  25°C                  1.4 kg                  ATEX 94/9/EC                  Explosive Atmosphere's                  Zones 1 &amp; 2                  II C                  T4 (135°C max surface temp)                  IP65</p>
-----------------------	--	--

<b>COMPONENT:</b>	Flameproof Electrical Actuator (ATEX)	<b>PART NO.</b>	304.205.002
<b>SIZE:</b>		<b>DATA SHEET NO.</b>	DS 20100
<b>FM-200/NOVEC FIRE EXTINGUISHING SYSTEM</b>		<b>ISSUE:</b>	A
		<b>REVISION DATE:</b>	06.09.04
		<b>SHEET NO.</b>	1 / 1