



### DESCRIPTION

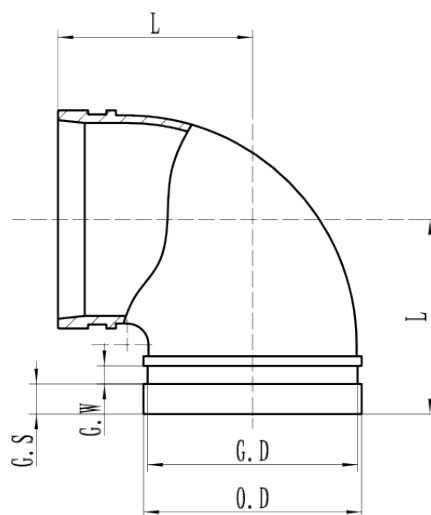
Grooved elbows provide an economical and efficient method of changing direction in grooved piping systems.

Sizes available: 1" - 10"  
Working pressure: 300 PSI / 2068 Kpa

### MATERIAL SPECIFICATIONS

- **Housing:**  
Ductile iron conform to ASTM A536 65-45-12
- **Coating:**
  - Galvanized
  - Red paint coating: RAL 3000

### DIMENSIONS



Reference		Size	O.D.	Nominal Dimensions					Weight
Red	Galva			Inch	mm	DN mm	L mm	G.D mm	
GB90R	GB90G	1	33,7	25	57	30,2	15,88	7,93	0,30
GB90R	GB90G	1½	42,4	32	70	39,0	15,88	7,93	0,41
GB90R	GB90G	1½	48,3	40	70	45,1	15,88	7,93	0,47
GB90R	GB90G	2	60,3	50	70	57,2	15,88	7,93	0,61
GB90R	GB90G	2½	76,1	65	76	72,3	15,88	7,93	0,87
GB90R	GB90G	3	88,9	80	85	84,9	15,88	7,93	1,12
GB90R	GB90G	4	114,3	100	102	110,1	15,88	9,53	1,80
GB90R	GB90G	5	139,7	125	121	135,5	15,88	9,53	3,05
GB90R	GB90G	6	168,3	150	140	164,4	15,88	9,53	4,94
GB90R	GB90G	8	219,1	200	175	214,4	19,05	11,1	8,31
GB90R	GB90G	10	273,0	250	215	268,3	19,05	12,7	14,14