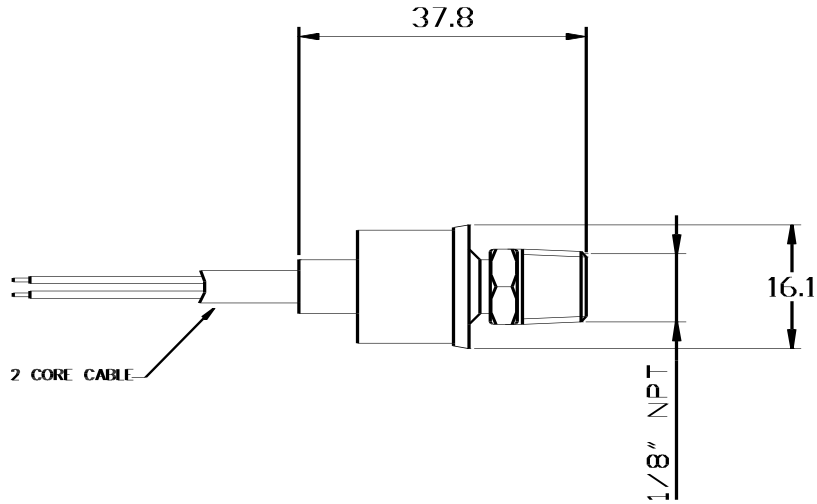


# TSP DATA SHEET

**Description:** Low Pressure Switch (UL) PS80



<b>Specification:</b>	Body: Stainless Steel Electrical Housing: Epoxy Sealed terminals Connection: Brass 1/8" NPT Switch Type: Normally Open @ atmospheric pressure Switch Point: Open on Fall at 20 bar Close on Rise at 24. bar  Tolerance: + / - 0.7 bar Proof Pressure: 345 bar Electrical Connection: 0.9m x 2 Core Cable Max Current: 2.9 A Voltage Range: 5-28 vdc Weight: 87g Approvals: UL & LPCB listed component as part of a UL listed system
-----------------------	---

<b>COMPONENT:</b>	Low Pressure Switch (UL) (Normally Open) PS80	<b>PART NO.</b>	305.205.001
<b>SIZE:</b>		<b>DATA SHEET NO.</b>	DS 20290
<b>FM-200/NOVEC FIRE EXTINGUISHING SYSTEM</b>		<b>ISSUE :</b>	A
		<b>REVISION DATE:</b>	16.09.05
		<b>SHEET NO.</b>	1 / 1