

Models BB, SD, HIP, and AP Specific Application Sprinklers For Protecting Attics

General Description

The TYCO Model BB (Back to Back), SD (Single Directional), HIP, and AP (Attic Plus) Specific Application Sprinklers for Protecting Attics are fire sprinklers for combustible and non-combustible sloped attic spaces. The Model BB, SD, and HIP are Specific Application Attic Sprinklers, whereas the Model AP is a Specific Application Combustible Concealed Space Sprinkler having specific application criteria for its use with the Models BB, SD, and HIP in attic spaces. Specific Application Attic Sprinklers provide superior fire protection in attic spaces, and when compared to Standard Spray Sprinklers, cost savings are achieved by eliminating branchline materials and the associated installation labor. The Specific Application Sprinklers for Protecting Attics have undergone the most extensive fire testing ever performed for sloped attic spaces. They are UL Listed with their specific application guidelines for use as special sprinklers as defined by the National Fire Protection Association (NFPA).

The Specific Application Attic Sprinklers provide an extended coverage spacing alternative to the restricted spacing of Standard Spray Sprinklers. The restricted spacings of Standard Spray Sprinklers used within attics is described in the 2007 edition of NFPA 13, Table 8.6.2.2.1(a) and Section 8.6.4.1.4.

IMPORTANT

Always refer to Technical Data Sheet TFP700 for the "INSTALLER WARNING" that provides cautions with respect to handling and installation of sprinkler systems and components. Improper handling and installation can permanently damage a sprinkler system or its components and cause the sprinkler to fail to operate in a fire situation or cause it to operate prematurely.

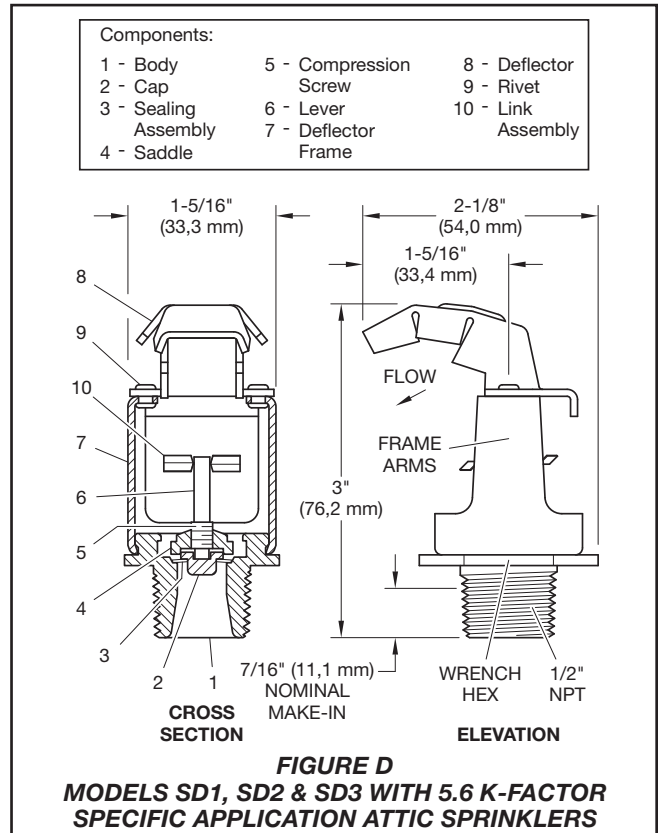
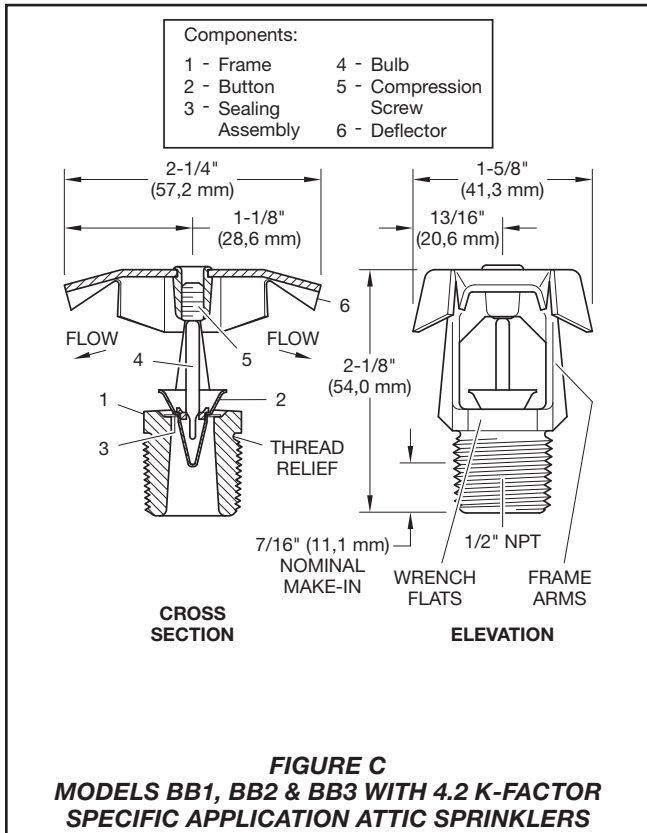
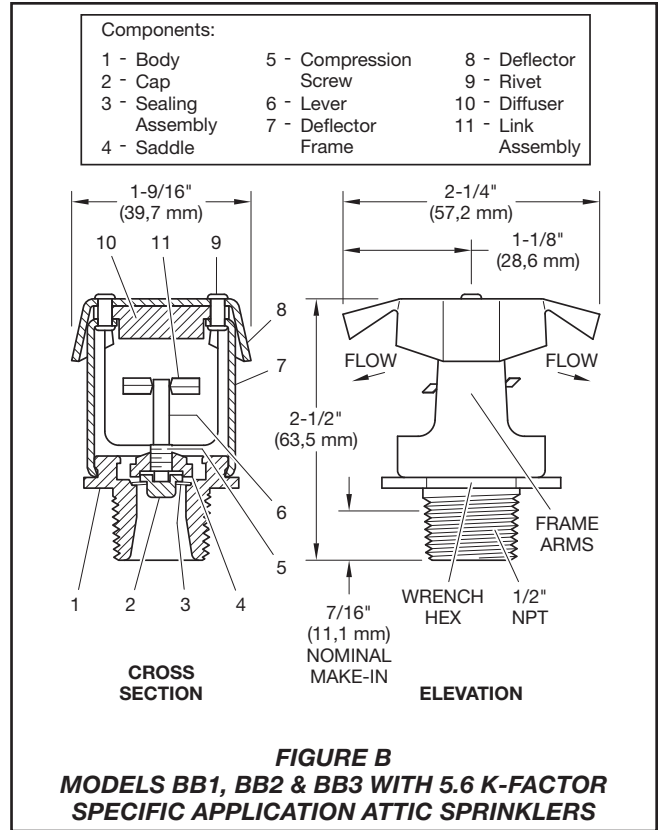
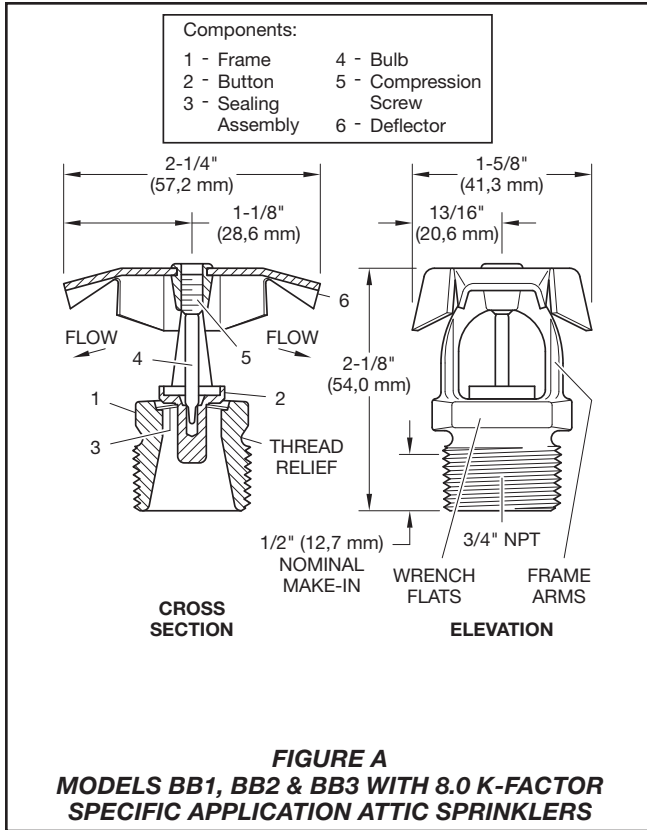
The Specific Application Attic Sprinklers are the first sprinklers to be:

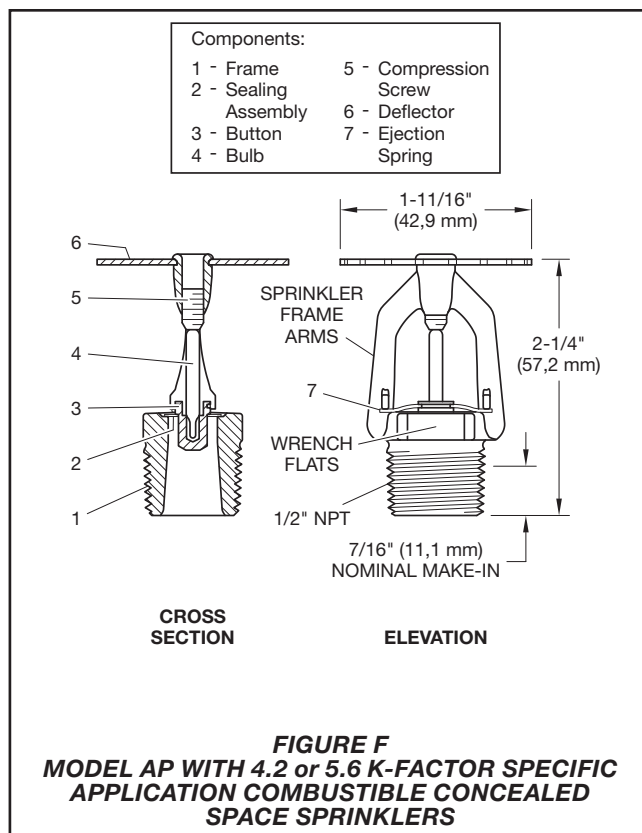
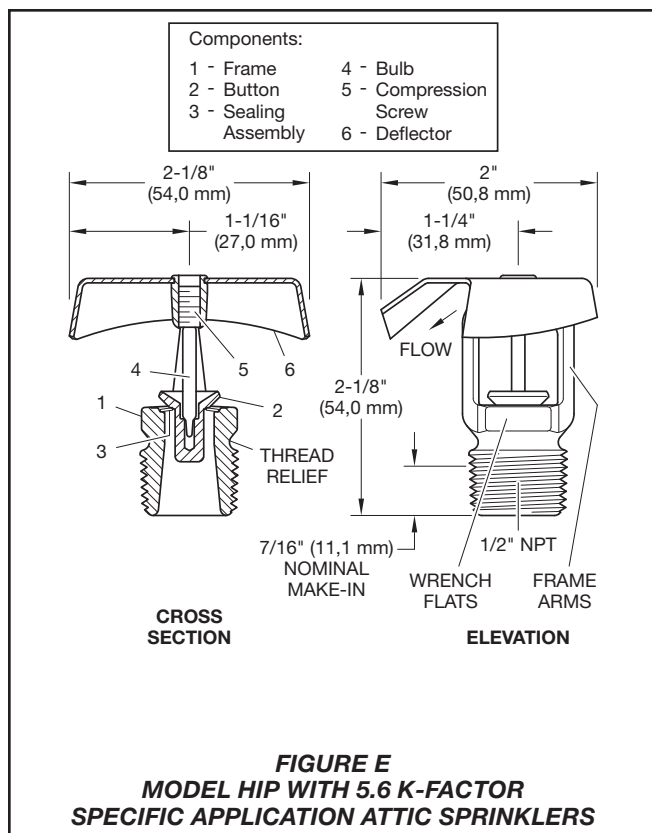
- Listed for extended coverage in combustible construction
- Full-scale fire tested in both wet and dry system scenarios
- Full-scale tested for use in wood truss construction
- Listed for specific roof slopes (Ref. Table A)

The Specific Application Attic Sprinklers provide the best level of protection, and control cost by eliminating the need for additional sprinklers and branchline piping. In many cases, an attic can be entirely protected with just one line of piping located below the peak of the roof using Model BB (Back to Back) Sprinklers. If there is a need for Model SD (Single Directional) or Model HIP Sprinklers, one line of either of these sprinkler types is sufficient at each area being covered. For example and assuming the use of Standard Spray Sprinklers, a system in a 60 foot (18,3 m) wide attic, with up to a 12:12 roof pitch, designed to the 2007 edition of NFPA 13, would require seven branchlines to cover the main portion of the attic and several additional branchlines to cover the hip areas. With the Specific Application Attic Sprinklers, the required coverage can be obtained with just one branchline running below the peak and one down each slope of the hip beam. This would result in approximately 90% less pipe needed for installation. This reduction in the number of branchlines saves the cost of the pipe, fittings, hangers, and associated labor by eliminating up to five branchlines.

Another important aspect of the Specific Application Attic Sprinkler technology is the reduction in system volume. This volume reduction may result in reducing the size of a dry pipe valve (and air compressor) and possibly allow for quicker water delivery times, eliminating the need for an accelerator.







The other cost reduction is the Listing of BlazeMaster CPVC for use in attic spaces to feed the wet system Specific Application Sprinklers for Protecting Attics, as well as to feed the wet system sprinklers below the ceiling. Traditionally, BlazeMaster CPVC has been used on the lower floors in the joist space above a ceiling that do not require sprinklers. The cost of using CPVC on those floors can now be translated to the upper floor even if sprinklers are required in the attic.

There are four (4) models of the Specific Application Sprinklers for Protecting Attics – BB (Back to Back Dual Directional), SD (Single Directional), HIP, and AP (Attic Plus). The BB (Back to Back) and SD (Single Directional) Sprinklers have three (3) separate versions that are used for different roof pitches. The pitches, as applicable, can vary from a minimum of 3:12 to a maximum of 12:12 (Ref. Table A).

BB Sprinkler (Back to Back Dual Directional)

The Model BB Specific Application Attic Sprinkler (Figures A, B & C) throws a narrow but long pattern. The narrow spacing along the ridge serves two purposes: the response time is reduced by placing the sprinklers no farther than 6 feet (1,8 m) apart, and the spray can be concentrated in the throw direction to obtain a pattern that

will cover up to 30 feet (9,1 m) in each direction when measured horizontally. There are three (3) different models (i.e., BB1, BB2, and BB3) that account for different roof slopes, and each model is provided in one of three different orifice sizes (K=4.2, 5.6, or 8.0).

SD Sprinkler (Single Directional)

The Model SD (Single Directional) Specific Application Attic Sprinkler (Figure D), like the Model BB, throws a narrow but long pattern. However, unlike the Model BB, the Model SD only throws in one direction. These sprinklers are primarily used where shear walls or draft curtains have been installed within an attic space. Another use is when the framing direction is parallel with the outside wall in the hip area (Ref. Figure 13). In this case, the SD (Single Directional) would be used on one side of the slope and AP Sprinklers or Standard Spray Sprinklers would be used to protect the other side. The Model SD Sprinklers must be installed in a vertical upright orientation and not angled with the slope. (Achieving the vertical upright orientation may require the use of a swing joint if the SD Sprinklers are being fed from a line running along and parallel to the roof hip.) There are three (3) different models (SD1, SD2, and SD3) that account for different roof slopes.

HIP Sprinkler

The HIP Specific Application Attic Sprinkler (Figure E) covers the area of the hip in the attic. This is a slightly different concept than the BB (Back to Back) or SD (Single Directional). The HIP Sprinkler is located along the slope running down the hip, and throws a 90° pattern toward the outside eaves. This pattern allows the water to “corner” and control the fire. The HIP does not throw much water directly up or down the hip, but rather it throws most of the pattern out to each side (90°) down the slope of the roof. This sprinkler is typically spaced 6 feet (1,8 m) to 3 feet (0,9 m) on center down the slope. To use the HIP Sprinkler, the framing must be perpendicular to the outside wall (Ref. Figure 12) and the maximum throw cannot exceed 28 feet (8,5 m) measured horizontally. The HIP, unlike the BB (Back to Back) and SD (Single Directional), is installed with the deflector parallel with the slope. There is only one model with flows and pressures for two different spacings.

AP Sprinkler (Attic Plus)

The AP Sprinklers are to be installed in the upright orientation with their deflector parallel to the roof. The Model AP Sprinklers (Figure F) are intended to be used to provide protection of attic areas outside the scope of applications for the BB, SD, or HIP Sprinklers. The AP Sprinklers must only be used in conjunction with other Specific Application Attic Sprinklers, i.e., BB, SD, and HIP, or as permitted in other sections of this document. When used, the AP Sprinklers will provide a hydraulic advantage over Standard Spray Sprinklers for the protection of attic areas outside the scope of application for the BB, SD, or HIP Sprinklers.

NOTICE

The Specific Application Sprinklers for Protecting Attics described herein must be installed and maintained in compliance with this document, as well as with the applicable standards of the National Fire Protection Association, in addition to the standards of any other authorities having jurisdiction. Failure to do so may impair the performance of these devices.

The owner is responsible for maintaining their fire protection system and devices in proper operating condition. Contact the installing contractor or product manufacturer with any questions.

Sprinkler Identification Number (SIN)

TY4180*	- BB1,	K=8.0
TY4181*	- BB2,	K=8.0
TY4182*	- BB3,	K=8.0
TY3180*	- BB1,	K=5.6
TY3181*	- BB2,	K=5.6
TY3182*	- BB3,	K=5.6
TY2180	- BB1,	K=4.2
TY2181	- BB2,	K=4.2
TY2182	- BB3,	K=4.2
TY3183*	- SD1,	K=5.6
TY3184*	- SD2,	K=5.6
TY3185*	- SD3,	K=5.6
TY3187*	- HIP,	K=5.6
TY3190	- AP,	K=5.6
TY2190	- AP,	K=4.2

* The "TY" prefix is a re-designation of the previous "C" prefix (e.g., TY4180 is a re-designation for C4180).

Technical Data

Approvals

UL & C-UL Listed

(These Approvals only apply to the service conditions indicated in the Design Criteria section on Page 6 and the Design Guidelines section on Page 8.)

Pipe Thread Connection

1/2 inch NPT for K=4.2 & 5.6
 3/4 inch NPT for K=8.0

Discharge Coefficient

K = 4.2 gpm/psi^{1/2} (60,5 lpm/bar^{1/2})
 K = 5.6 gpm/psi^{1/2} (80,6 lpm/bar^{1/2})
 K = 8.0 gpm/psi^{1/2} (115,5 lpm/bar^{1/2})

Temperature Rating

Intermediate Temperature as follows:
 -200°F (93°C) for BB (K4.2 & K8.0), HIP, AP

-212°F (100°C) for BB (K5.6), SD

Finish

Natural Brass

Physical Characteristics (Figures A, C & E)

Frame	Brass
Button	Bronze/Copper
Sealing Assembly	Beryllium Nickel w/TEFLON
Bulb	Glass (3 mm dia.)
Link	Monel
Compression Screw	Brass
Deflector	Brass/Bronze

Physical Characteristics (Figures B & D)

Body	Brass
Cap	Bronze
Sealing Assembly	Beryllium Nickel w/TEFLON
Saddle	Brass
Link Assembly	Nickel
Compression Screw	Brass
Deflector	Brass/Bronze
Lever	Bronze Deflector
Frame	Bronze
Diffuser	Brass
Rivet	Brass

Physical Characteristics (Figure F)

Frame	Brass
Button	Bronze
Sealing Assembly	Beryllium Nickel w/TEFLON
Bulb	Glass (3 mm dia.)
Compression Screw	Brass
Deflector	Bronze

Operation

BB (K=8.0 & 4.2), HIP (K=5.6) & AP (5.6 & 4.2)

The glass bulb contains a fluid that expands when exposed to heat. When the rated temperature is reached, the fluid expands sufficiently to shatter the glass bulb, allowing the sprinkler to activate and water to flow.

BB (K=5.6) & SD (K=5.6)

The fusible link assembly is comprised of two link halves which are joined by a thin layer of solder. When the rated temperature is reached, the solder melts and the two link halves separate, allowing the sprinkler to activate and water to flow.

Installation

The TYCO Specific Application Attic Sprinklers for Protecting Attics must be installed in accordance with this section.

NOTICE

Do not install any bulb-type sprinkler if the bulb is cracked or there is a loss of liquid from the bulb. With the sprinkler held horizontally, a small air bubble should be present. The diameter of the air bubble is approximately 1/16 inch (1,6 mm) for the 155°F (68°C) and 3/32 inch (2,4 mm) for the 200°F (93°C) temperature ratings.

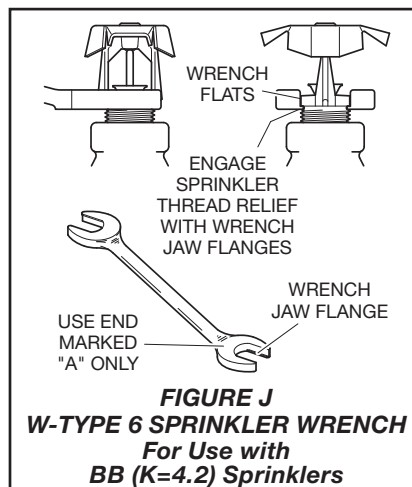
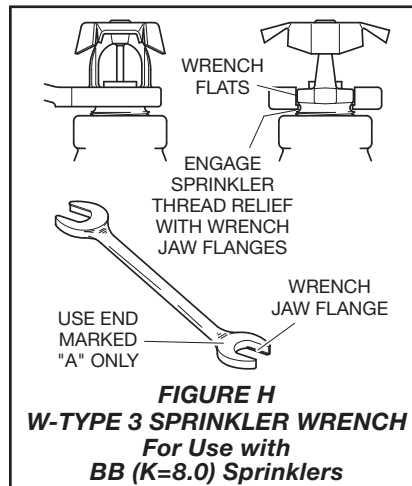
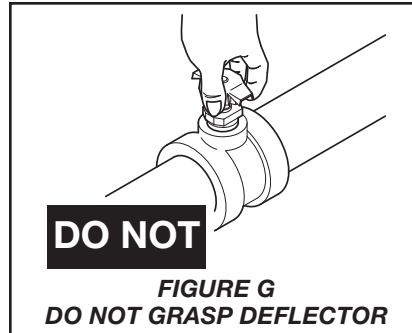
A leak-tight 1/2 inch NPT sprinkler joint should be obtained by applying a minimum-to-maximum torque of 7 to 14 ft.lbs. (9,5 to 19,0 Nm). Higher levels of torque can distort the sprinkler inlet with consequent leakage or impairment of the sprinkler.

Step 1. Sprinklers must be oriented correctly as follows:

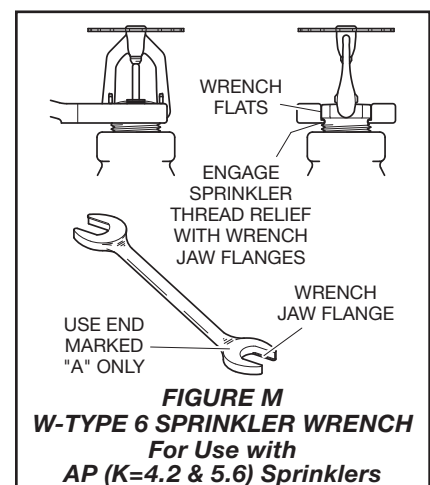
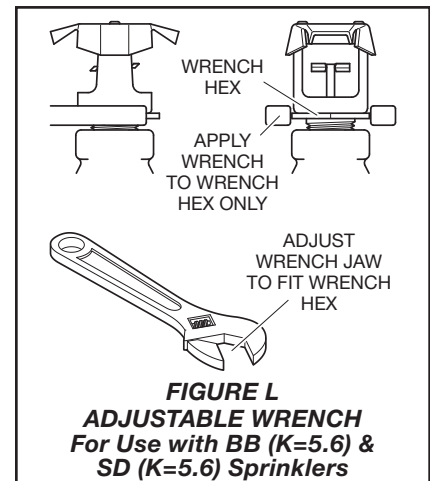
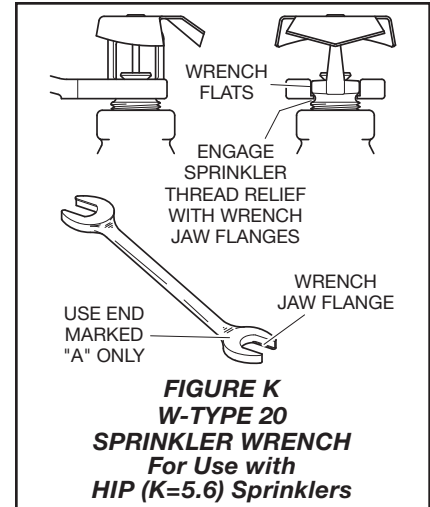
- Model BB Sprinklers are to be installed in the upright vertical position with the flow arrows on the deflector pointing down the two opposing slopes.
- Model SD Sprinklers are to be installed in the upright vertical position with the flow direction arrow on the deflector pointing down the slope.
- The Model HIP Sprinklers are to be installed with the deflector at the top and with the sprinkler centerline perpendicular to the ridge of the hip roof and with the flow direction arrows on the deflector pointing down the two opposing slopes. (Unlike the Model BB and Model SD, the Model HIP is installed angled so that its deflector is parallel with the slope of the hip ridgeline.)
- The Model AP Sprinklers are to be installed in the upright position with the deflector parallel to the roof slope. There are no flow arrows on the deflector to consider; however, a good piping practice is to position all the Model AP Sprinklers so that their frame arms are in the same direction.

Step 2. With pipe thread sealant applied to the pipe threads, hand-tighten the sprinkler into the sprinkler fitting.

Note: With reference to Figure G, do not grasp the sprinkler by the deflector.



Step 3. Wrench-tighten the sprinkler using only the wrenches shown in Figures H thru M. Wrenches are only to be applied to the sprinkler wrench flats or wrench hex, as applicable.



Design Criteria

Area of Use

Roof structures, combustible and noncombustible, including wood joist/rafters and wood trussed attics, with a ceiling below.

System Type for BB, SD, HIP, or AP

Wet using CPVC pipe
Wet or dry using steel pipe

Note: Use of the 4.2 K sprinklers in dry pipe systems is permitted by section 8.3.4.3 of NFPA 13 (2007 edition) where piping is corrosion resistant or internally galvanized.

Hazard

Light Hazard

BB, SD, or HIP Allowable Roof Span (Coverage) and Roof Pitch

Refer to Table A for allowable roof spans and roof pitches, as well as for the associated minimum sprinkler flows and pressures. Figures 1, 2, 11 & 12 illustrate where the roof span is to be measured.

Coverage Beyond BB, SD or HIP Allowable Roof Spans

Up to 10 feet (3,1 m) of coverage at the eave(s) beyond the allowable roof spans for BB, SD, or HIP Sprinklers may be obtained by using a single row of AP Sprinklers (Ref. Figures 14A, 14B & 15).

BB, SD, HIP, or AP Minimum Distance Between Sprinklers

4 feet (1,2 m) as measured along the branchline for BB and SD (Ref. Figure 3)

3 feet (0,9 m) as measured along the branchline for HIP (Ref. Figure 12)

7 feet (2,1 m) between AP Sprinklers

BB, SD, HIP, or AP Maximum Distance Between Sprinklers

6 feet (1,8 m) on center along the branchline (Ref. Figures 3 & 12) for BB, SD, and HIP

For AP, the maximum spacing is 10 feet (3,1 m) perpendicular to slope and 12 feet (3,6 m) parallel to slope. When there is more than one row of AP Sprinklers, the sprinklers must be staggered per Figure 20-B-3.

BB, SD, HIP, or AP Minimum Distance to AP Sprinklers or Standard Spray Sprinklers

As measured along the peak/ridge direction (Ref. Figure 4), 6 feet (1,8 m) from BB, SD, and HIP to Standard Spray Sprinklers

As measured along the peak/ridge direction (Ref. Figure 4), 7 feet (2,1 m) from AP to Standard Spray Sprinklers

In the slope direction (Ref. Figure 6), 26 feet (7,9 m) from BB or HIP Sprinklers to AP Sprinklers or Standard Spray Sprinklers

BB, SD, or HIP Deflector Installation Position Below Peak/Ridge or Deck

For roof pitches of 4:12 (33%) to 12:12 (100%), 22 inches (558,8 mm) maximum, 16 inches (406,4 mm) minimum (Ref. Figures 2 & 5).

For roof pitches of 3:12 (25%) up to 4:12 (33%) (only 4.2K Model BB), 12 inches (304,8 mm) maximum below the peak and a minimum of 1 inch (25,4 mm) below the bottom of top chord or solid wood rafter

AP Deflector Position and Roof Pitch

1 to 3 inches (25,4 to 75,6 mm) below the bottom of the top chord or bottom of solid wood rafter, where the roof pitch is 3:12 to 12:12 and the top chord or solid wood rafter is a nominal 12 inches (600 mm) or less

BB or SD Deflector Installation Position Above Scissor Truss

18 inches (457,2 mm) minimum (Ref. Figure 5)

BB, SD, or HIP Minimum Distance Away from Trusses

Attic Sprinklers must be installed 6 inches (152,4 mm) away from the face of trusses (Ref. Figure 7)

SD Distance from Shear Wall or Draft Curtain

4 to 6 inches (101,6 to 152,4 mm) from face, and minimum 8 inches (203,2 mm) above bottom of draft curtain (Ref. Figure 2)

Draft Curtains

Draft curtains installed to permit the installation of Attic Sprinklers shall be constructed so as to not allow heat to escape through or above the draft curtain. The draft curtain may be constructed of 1/2 inch (12,7 mm) plywood.

BB or HIP Maximum Distance from the Center Line of the Ridge

6 inches (152,4 mm) (Ref. Figure 8) with the deflector located 16 inches (406,4 mm) to 22 inches (558,8 mm) from the peak

Use of UL Listed BlazeMaster CPVC Piping with Specific Application Sprinklers for Protecting Attics (Wet Systems Only)

BlazeMaster CPVC piping may be used in a combustible concealed attic space requiring sprinklers when installed in accordance with the following guidelines:

Note: Where the use of non-combustible insulation is specified, verify with the insulation manufacturer as to the non-combustibility of the insulation. The non-combustible insulation (i.e., fiberglass) may be faced or unfaced. Where faced, the facing need not be non-combustible. The insulation is to have a flame spread index of not more than 25.

Verify chemical compatibility of the insulation with BlazeMaster CPVC by consulting www.lubrizol.com.

- BlazeMaster CPVC may be used to feed the wet system ceiling sprinklers on the floor below. There must be 6 inches (152,4 mm) of noncombustible insulation covering the horizontal or vertical pipe (Ref. Figures 9A, 9B & 9C) extending 12 inches (304,8 mm) on each side away from the centerline of the pipe, and the area above the CPVC must be protected by Model BB, SD, HIP, or AP Sprinklers (Ref. Figure 9A). If the pipe is located inside the ceiling joist, the joist channel must be covered or filled with 6 inches (152,4 mm) of non-combustible insulation on top of the pipe and the area above must be protected by BB, SD, HIP, or AP Sprinklers (Ref. Figure 9B). Insulation is for fire protection purposes. It is not freeze protection. BlazeMaster CPVC must be installed in accordance with the BlazeMaster installation guide instructions.
- With reference to Figure 19, BlazeMaster CPVC may be used exposed to feed wet system BB, SD, or HIP Sprinklers where:
 - Risers are vertical and protected by a BB, SD, or HIP Sprinklers located at a maximum lateral distance of 12 inches (304,8 mm) from the riser centerline
 - BB, SD, or HIP Sprinklers are directly mounted on the branchline
 - BB, SD, or HIP Sprinklers are on arm-overs and located at a maximum lateral distance of 6 inches (152,4 mm) from the branchline centerline
 - BB, SD, or HIP Sprinklers are on vertical sprigs attached to the branchline
 - BB, SD, or HIP Sprinklers are on arm-over or angled sprigs, and located at a maximum lateral distance of 6 inches (152,4 mm) from the branchline centerline
- A minimum lateral distance of 18 inches (450 mm) is maintained between the CPVC pipe and a heat producing device such as heat pumps, fan motors, and heat lamps

MODEL	K	SIN	ALLOWABLE ROOF SPAN, (a) (b) (e) Feet (m)	MINIMUM FLOW, gpm (lpm)	MINIMUM PRESSURE, psi (bar)	PITCH, Rise Over Run (%)	DRY PIPE SYSTEM MAXIMUM WATER DELIVERY TIME, Seconds
BB1	8.0	TY4180	≤60 (18,3)	38 (144)	22.6 (1,5)	4:12 (33) to less than 7:12 (58)	(c)
BB2	8.0	TY4181	≤60 (18,3)	38 (144)	22.6 (1,5)	7:12 (58) to less than 10:12 (83)	(c)
BB3	8.0	TY4182	≤60 (18,3)	40 (152)	25.0 (1,7)	10:12 (83) to 12:12 (100)	(c)
BB1	5.6	TY3180	>40 (12,2) to ≤60 (18,3)	38 (144)	46.0 (3,2)	4:12 (33) to less than 7:12 (58)	(c)
BB2	5.6	TY3181	>40 (12,2) to 60 (18,3)	38 (144)	46.0 (3,2)	7:12 (58) to less than 10:12 (83)	(c)
BB3	5.6	TY3182	>40 (12,2) to 60 (18,3)	38 (144)	46.0 (3,2)	10:12 (83) to 12:12 (100)	(c)
BB1	5.6	TY3180	≤40 (12,2)	25 (95)	20.0 (1,4)	4:12 (33) to less than 7:12 (58)	(c)
BB2	5.6	TY3181	≤40 (12,2)	25 (95)	20.0 (1,4)	7:12 (58) to less than 10:12 (83)	(c)
BB3	5.6	TY3182	≤40 (12,2)	25 (95)	20.0 (1,4)	10:12 (83) to 12:12 (100)	(c)
BB1	4.2	TY2180	≤20 (6,1)	13 (49)	9.6 (0,7)	3:12 (25) to less than 7:12 (58)	45 (d)
BB2	4.2	TY2181	≤20 (6,1)	13 (49)	9.6 (0,7)	7:12 (58) to less than 10:12 (83)	45 (d)
BB3	4.2	TY2182	≤20 (6,1)	13 (49)	9.6 (0,7)	10:12 (83) to 12:12 (100)	45 (d)
SD1	5.6	TY3183	>30 (9,1) to ≤40 (12,2)	35 (132)	39.0 (2,7)	4:12 (33) to less than 7:12 (58)	(c)
SD2	5.6	TY3184	>30 (9,1) to ≤40 (12,2)	35 (132)	39.0 (2,7)	7:12 (58) to less than 10:12 (83)	(c)
SD3	5.6	TY3185	>30 (9,1) to ≤40 (12,2)	35 (132)	39.0 (2,7)	10:12 (83) to 12:12 (100)	(c)
SD1	5.6	TY3183	>10 (3,0) to ≤30 (9,1)	25 (95)	20.0 (1,4)	4:12 (33) to less than 7:12 (58)	(c)
SD2	5.6	TY3184	>10 (3,0) to ≤30 (9,1)	25 (95)	20.0 (1,4)	7:12 (58) to less than 10:12 (83)	(c)
SD3	5.6	TY3185	>10 (3,0) to ≤30 (9,1)	25 (95)	20.0 (1,4)	10:12 (83) to 12:12 (100)	(c)
SD1	5.6	TY3183	≤10 (3,0)	19 (72)	11.5 (0,8)	4:12 (33) to less than 7:12 (58)	(c)
SD2	5.6	TY3184	≤10 (3,0)	19 (72)	11.5 (0,8)	7:12 (58) to less than 10:12 (83)	(c)
SD3	5.6	TY3185	≤10 (3,0)	19 (72)	11.5 (0,8)	10:12 (83) to 12:12 (100)	(c)
HIP	5.6	TY3187	>20 (6,1) to ≤28 (8,5)	34 (129)	36.9 (2,5)	4:12 (33) to 12:12 (100)	(c)
HIP	5.6	TY3187	≤20 (6,1)	25 (95)	20.0 (1,4)	4:12 (33) to 12:12 (100)	(c)
AP	5.6	TY3190	10 (3,1) x 12 (3,6)	Minimum 7 psi (0,48 bar)		3:12 (25) to 12:12 (100)	60 (d)
AP	4.2	TY2190	-See note (e)	Minimum 0.10 gpm/ft ² (4,1 mm/min.) Design Density		3:12 (25) to 12:12 (100)	60 (d)

Notes:

- (a) The BB and SD roof span is measured horizontally (not along the slope) as shown in Figure 1 and 2.
- (b) The HIP roof span is measured horizontally as shown in Figure 12.
- (c) Refer to 2007 edition of NFPA 13, Section 7.2.3.
- (d) Maximum water delivery time for all size of systems.
- (e) The AP roof span is measured along the slope. Maximum 10 feet (3,1 m) perpendicular to slope by maximum 12 feet (3,6 m) parallel to slope.

TABLE A
ALLOWABLE ROOF SPAN, FLOW, PRESSURE, AND PITCH FOR
SPECIFIC APPLICATION SPRINKLERS FOR PROTECTING ATTICS

- BlazeMaster CPVC may be used exposed to provide wet system, vertical or angled, sprigs to AP Sprinklers (Ref. Figures 17A & 17B) where:
 - The exposed portion of an angled sprig is a maximum length of 3 feet (0,9 m), the sprig is supported adjacent to the AP Sprinkler, and vertical restraint is provided using the CPVC hanger support for horizontal pipe runs
 - Vertical sprigs have a maximum exposed length of 10 feet (3,05 m), the AP Sprinkler is located at a maximum lateral distance of 12 inches (330,4,8 mm) from the sprig centerline, and the sprig is supported at the swing joint to the AP Sprinkler
 - A minimum 6 inches (152,4 mm) deep of non-combustible insulation extending 12 inches (304,8 mm) on each side away from the centerline of the CPVC branchline feeding the AP sprigs (Ref. Figure 17A). If the CPVC branchline is located inside the ceiling joist, the joist channel must be covered or filled with a minimum of 6 inches (152,4 mm) deep of noncombustible insulation on top of the branchline feeding the AP sprigs (Refer to Figure 17B). Insulation is for fire protection purposes. It is not freeze protection. Additional depth of non-combustible insulation may be added to reduce the exposed length of the AP sprigs.
 - A minimum lateral distance of 18 inches (450 mm) is maintained between the CPVC pipe and a heat producing device such as heat pumps, fan motors, and heat lamps

Mismatched Slopes

Refer to Figure 10.

Obstructions

For BB, SD, and HIP, refer to Figure 16. For AP Sprinklers, refer to Figure 18. BB, SD, HIP, and AP Sprinklers may be installed directly on maximum 2-1/2 inch NPS (DN65) branch lines without the need for sprigs. See the 2007 edition of NFPA 13, 8.8.5.2 for requirements when installed on pipe greater than 2-1/2 inch NPS (DN65).

Hydraulic Requirements

Refer to Figure 20.

To Determine the Correct Flow and Pressure

For BB, SD, or HIP Sprinklers, determine the roof span (measured horizontally) and the slope of the roof, and then refer to Table A. There is no interpolation of the flow and pressure shown. Round all cases to the next

higher spacing. For example, a 45 feet (13,7 m) span with the BB1 (K=8.0) would be calculated at the 60 feet (18,3 m) span.

For the AP Sprinklers, the minimum design pressure is 7 psi, and the minimum design density is 0.10 gpm/ft² (4,1 mm/min). The NFPA 13, 20 psi (1,4 bar) minimum operating pressure for Standard Spray Sprinkler spacings parallel to the ridge that are above 8 feet (2,4 m) does not apply to the AP.

Coverage Area

- Coverage area for the BB (Back to Back) Sprinklers is determined by twice the distance of the furthest throw measured along the slope multiplied by the distance along the branchline (maximum distance along branchline is 6 feet [1,8 m] regardless of the length of the throw).

Note: *The distance along the branchline may have to be reduced to less than the maximum of 6 feet (1,8 m) to remain under 400 ft² (37,2 m²) maximum depending on the slope and the span. In no case can the span exceed 60 feet (18,3 m) without additional Standard Spray Sprinklers.*

- Coverage area for the SD (Single Directional) Sprinklers is the distance along the branchline multiplied by the distance of the throw down the slope. Regardless of the throw, the maximum distance along the branchline is 6 feet (1,8 m), the maximum throw measured horizontally is 40 feet (12,2 m), and the maximum coverage per sprinkler is 400 ft² (37,2 m²).
- Coverage area for the HIP Sprinklers is the distance down the larger slope multiplied by two, and multiplied by the distance between the sprinklers as measured along the slope of the hip.
- Coverage area for the AP (Attic Plus) Sprinklers is the distance along the branchline multiplied by the distance between the branchlines. The maximum spacing is 10 feet (3,1 m) perpendicular to the slope and 12 feet (3,6 m) parallel to slope, and as measured on the slope. When there is more than one row of AP Sprinklers, the sprinklers must be staggered per Figure 20-B-3. The maximum spacing per sprinkler is 120 ft² (11,1 m²).

Design Guidelines

To design a project with attic sprinklers use these steps as a guideline:

- Determine if single, dual directional or hip sprinkler is needed.
- Determine the roof slope is between 3:12 to 12:12. If more than one slope is being used on a project, select the correct sprinkler for each area.
- Follow the guidelines for each type of sprinkler.
- Calculate the sprinkler system in accordance with the appropriate flow and pressure information provided in Table A, as well as Figure 20. There is no interpolation of the flows and pressures shown on the chart.

For BB Sprinklers

(Back to Back Dual Directional)

- Verify framing direction is perpendicular to outside wall (Ref. Figure 12). If not, cover that area with AP Sprinklers or Standard Spray Sprinklers (Ref. Figure 13).
- Determine the throw needed (see spacing requirements in Table A). If over 20 feet (6,1 m) and up to 60 feet (18,3 m) is required, use the 8.0 K-factor, BB Sprinklers to reduce the pressure required. If pressure is not a concern, use the 5.6 K-factor, BB Sprinklers to minimize over discharge.
- If less than 20 feet (6,1 m) is required, use the 4.2 K-factor, Back to Back Dual Directional to minimize pressure and flow requirements
- Determine the distance along the slope. If the distance is not equal, use the longer side. Multiply the longer side by two to determine the spacing down the slope. Four hundred divided by this value will determine the maximum spacing along the ridge. The maximum distance is 6 feet (1,8 m). For example, a 12:12 slope at the maximum span of 60 feet (18,3 m) will produce a slope length of approximately 42.5 feet (13,0 m). That number multiplied by two produces an 85 feet (25,9 m) throw. Four hundred square feet maximum divided by an 85 feet (25,9 m) throw only allows a 4 feet 8 inches (1,4 m) spacing along the ridge. Using the maximum spacing, space the sprinklers along the ridge.
- Avoid obstructions as shown in Figure 16. If necessary, add Model AP Sprinklers or Standard Spray Sprinklers to maintain coverage around obstructions.

For SD Sprinklers (Single Directional)

- Determine the throw needed.
- As the 400 ft² (37,2 m²) is not a factor with the SD Sprinklers, the maximum spacing is 6 feet (1,8 m) and the minimum is 4 feet (1,2 m) (Ref. Figures 2 & 11). (The reason 400 ft² is not an issue with the single directional is because, at its maximum spacing, 6 feet [1,8 m] on center / covering 40 feet [12,2 m] flat / a 12:12 slope / and the throw being 56.5 feet [17,2 m], the 400 ft² [37,2 m²] maximum would not be exceeded.)
- Avoid obstructions as shown in Figure 16. If necessary, add Model AP Sprinklers or Standard Spray Sprinklers to maintain coverage around obstructions.

For HIP Sprinklers

- Verify framing direction is perpendicular to outside wall (Ref. Figure 12). If not, cover that area with AP Sprinklers or Standard Spray Sprinklers (Ref. Figure 13)
- From the intersection of the top of the hip and the ridge, the maximum distance down the slope of the hip is 3 feet (0,9 m). Start the layout with the first sprinkler as close to that point as possible, but no further, while staying 6 inches (152,4 mm) away from the face of the trusses. Remember the slope of the hip is not equal to the slope of the roof from the ridge to the outside wall. Continue to space sprinklers down the hip at a maximum of 6 feet (1,8 m) on center as measured along the slope of the hip. When the bottom of the hip is encountered, the last sprinkler must be within 7-1/2 feet (2,3 m) of the outside wall as measured flat (plan view). If this pipe is "cut to fit", remember to account for the different slopes of the hip and the roof, as well as distances measured along the slope verses horizontal in plan view must be accounted for.
- Avoid obstructions as shown in Figure 16. If necessary, add Model AP Sprinklers or Standard Spray Sprinklers to maintain coverage around obstructions.

Care and Maintenance

The TYCO Specific Application Sprinklers for Protecting Attics must be maintained and serviced in accordance with this section.

Before closing a fire protection system main control valve for maintenance work on the fire protection system that it controls, obtain permission to shut down the affected fire protection system from the proper authorities and notify all personnel who may be affected by this action.

The owner is responsible for the inspection, testing, and maintenance of their fire protection system and devices in compliance with this document, as well as with the applicable standards of the National Fire Protection Association (e.g., NFPA 25), in addition to the standards of any other authorities having jurisdiction. Contact the installing contractor or product manufacturer with any questions.

Automatic sprinkler systems should be inspected, tested, and maintained by a qualified Inspection Service in accordance with local requirements and/or national code.

Sprinklers that are found to be leaking or exhibiting visible signs of corrosion must be replaced.

Automatic sprinklers must never be painted, plated, coated, or otherwise altered after leaving the factory. Modified sprinklers must be replaced.

Over-heated solder type sprinklers must be replaced. Bulb-type sprinklers that have been exposed to corrosive products of combustion, but have not operated, should be replaced if they cannot be completely cleaned by wiping the sprinkler with a cloth or by brushing it with a soft bristle brush.

Care must be exercised to avoid damage to the sprinklers before, during, and after installation. Sprinklers damaged by dropping, striking, wrench twist/slippage, or the like, must be replaced. Also, replace any sprinkler that has a cracked bulb or that has lost liquid from its bulb. (Refer to Installation Section.)

Limited Warranty

For warranty terms and conditions, visit www.tyco-fire.com.

Ordering Procedure

Contact your local distributor for availability. When placing an order, indicate the full product name and Part Number (P/N).

Sprinkler Assemblies with NPT Thread Connections

Specify: Model (specify), (specify) K-factor, SIN (specify), Specific Application Attic Sprinkler, P/N (specify):

BB1 (K=8.0),
TY4180 P/N 51-623-1-200
BB2 (K=8.0),
TY4181 P/N 51-621-1-200
BB3 (K=8.0),
TY4182 P/N 51-622-1-200

BB1 (K=5.6),
TY3180 P/N 50-601-1-212
BB2 (K=5.6),
TY3181 P/N 50-602-1-212
BB3 (K=5.6),
TY3182 P/N 50-603-1-212

BB1 (K=4.2),
TY2180 P/N 50-620-1-200
BB2 (K=4.2),
TY2181 P/N 50-621-1-200
BB3 (K=4.2),
TY2182 P/N 50-622-1-200

SD1 (K=5.6),
TY3183 P/N 50-611-1-212
SD2 (K=5.6),
TY3184 P/N 50-612-1-212
SD3 (K=5.6),
TY3185 P/N 50-613-1-212

HIP (K=5.6),
TY3187 P/N 51-620-1-200

AP (K=5.6),
TY3190 P/N 50-625-1-200
AP (K=4.2),
TY2190 P/N 50-624-1-200

Sprinkler Wrench

Specify: W-Type 3 Sprinkler Wrench, P/N 56-895-1-001

Specify: W-Type 20 Sprinkler Wrench, P/N 56-000-1-106

Specify: W-Type 6 Sprinkler Wrench, P/N 56-000-6-387

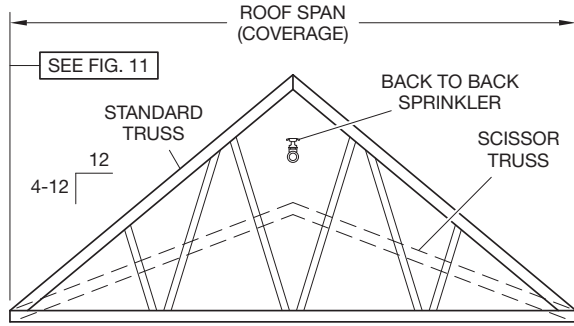


FIGURE 1

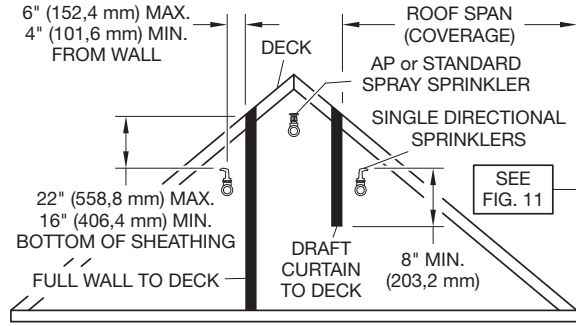


FIGURE 2

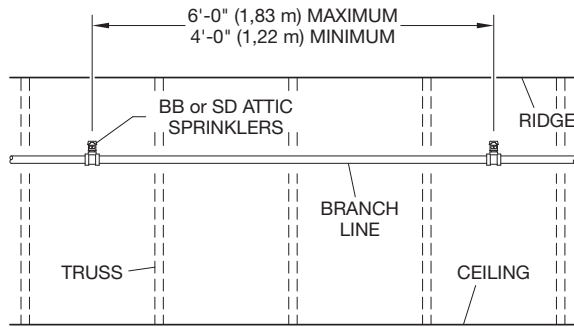


FIGURE 3

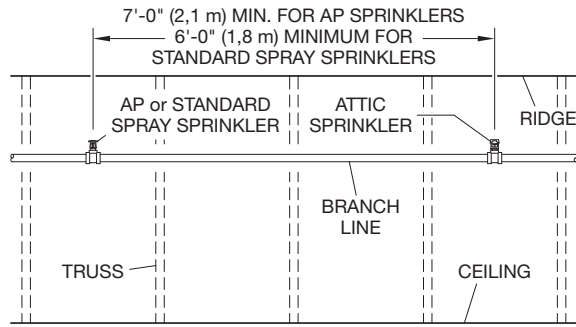


FIGURE 4

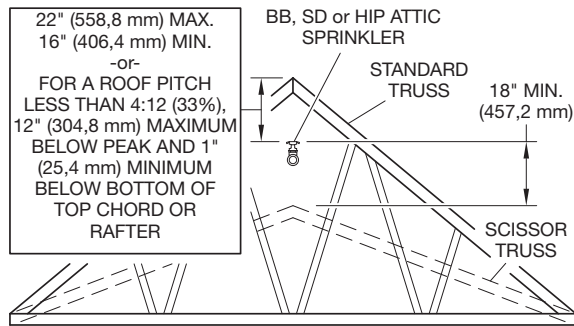


FIGURE 5

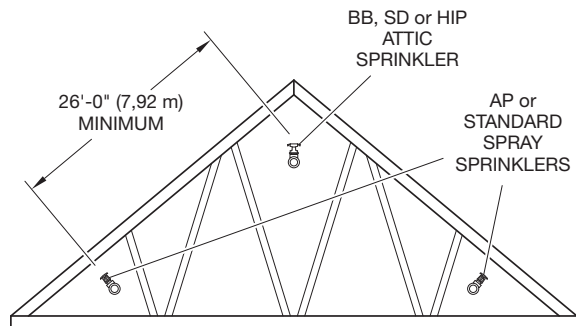


FIGURE 6

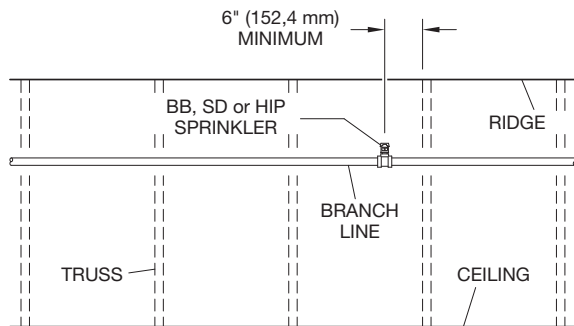


FIGURE 7

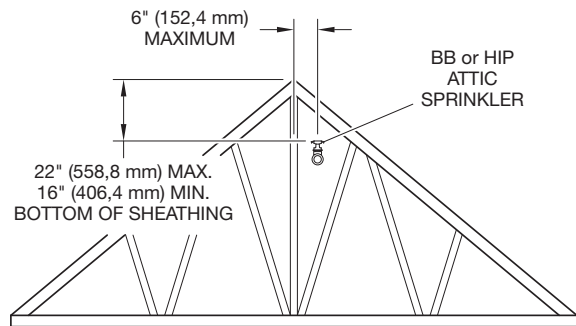


FIGURE 8

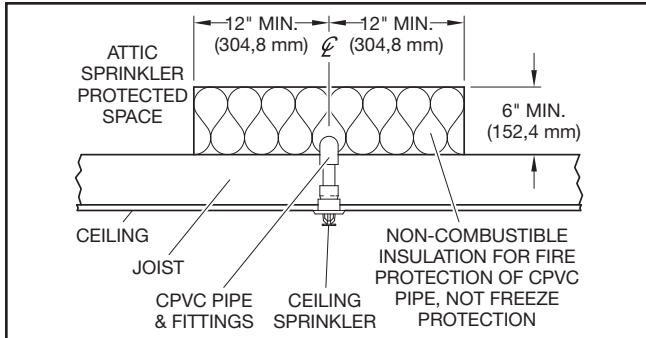


FIGURE 9A

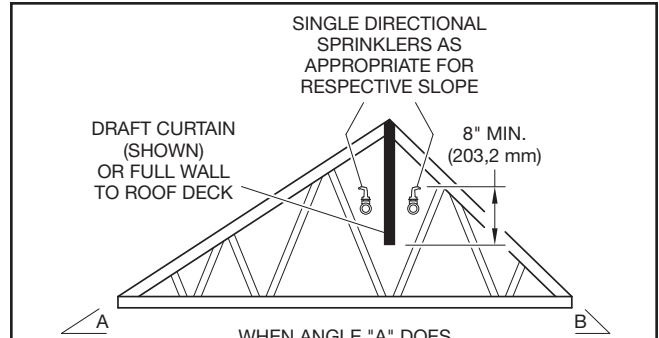


FIGURE 10
PERMITTED USE OF ATTIC SPRINKLERS
FOR MISMATCHED SLOPES

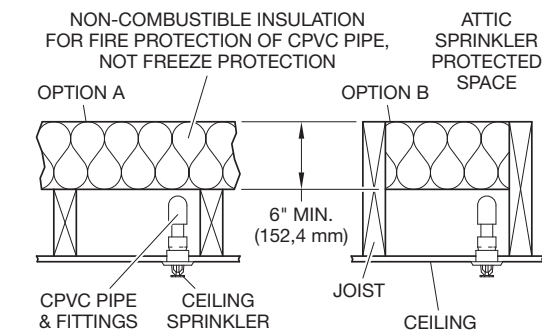


FIGURE 9B

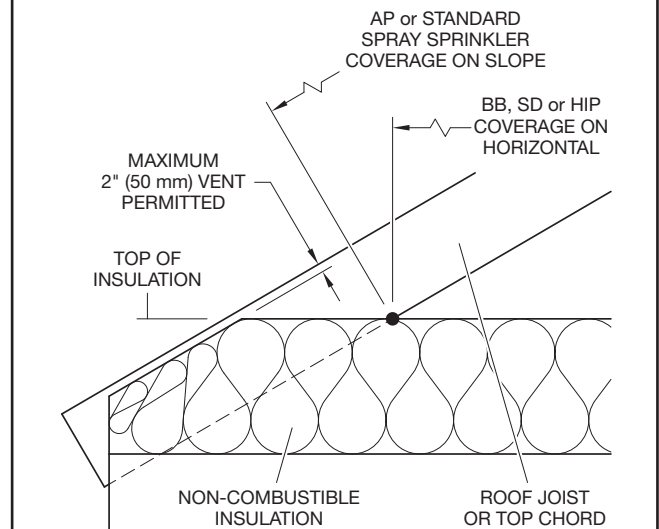
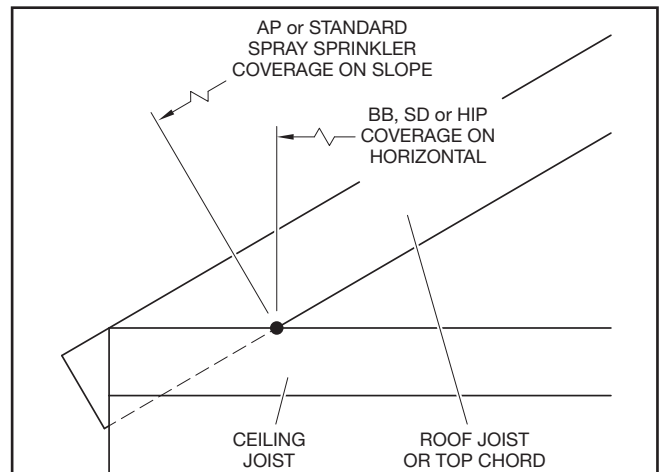


FIGURE 11
COVERAGE STARTING POINT AT EAVE

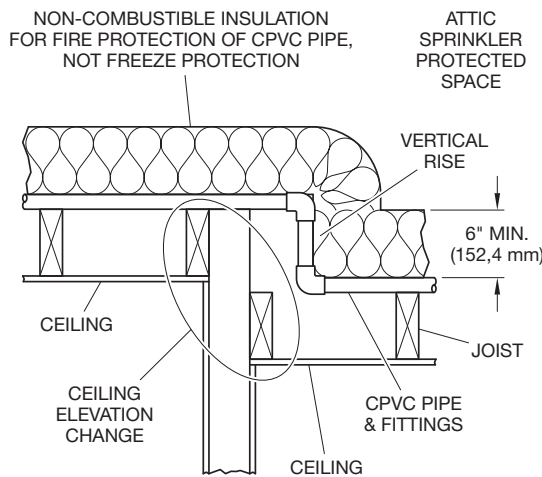


FIGURE 9C

FIGURE 9
NON-COMBUSTIBLE INSULATION
FOR THE PROTECTION OF CPVC PIPE

FIGURE 12
HIP ROOF INSTALLATION
WITH RAFTERS FRAMED
PERPENDICULAR TO
OUTSIDE WALL
(SHOWN WITH HIP
SPRINKLERS PROTECTING
HIP SLOPE & ADJACENT
AREAS TO HIP SLOPE)

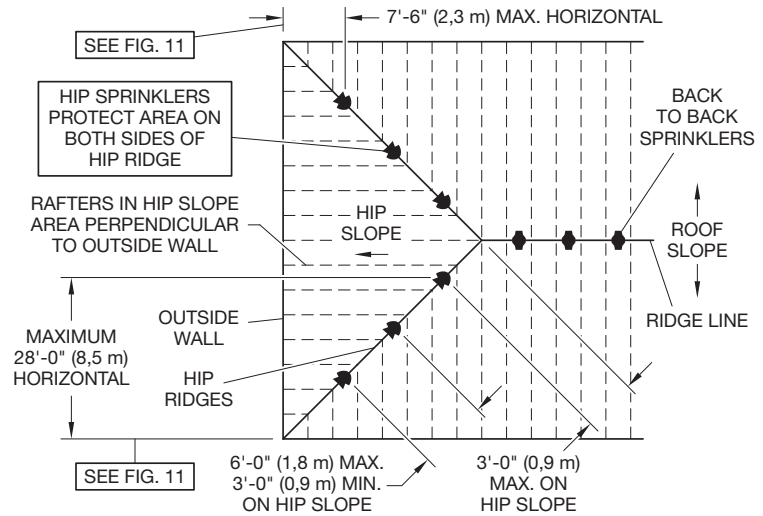


FIGURE 13A
HIP ROOF INSTALLATION
WITH TRUSSES FRAMED
PARALLEL TO OUTSIDE WALL
(SHOWN WITH STANDARD
SPRAY OR AP SPRINKLERS IN
HIP SLOPE)

WHERE AN AREA (SHOWN NON-SHADED) IS PROTECTED WITH AP SPRINKLERS, CPVC MAY BE USED FOR CEILING PROTECTION BELOW (SEE PAGE 6)

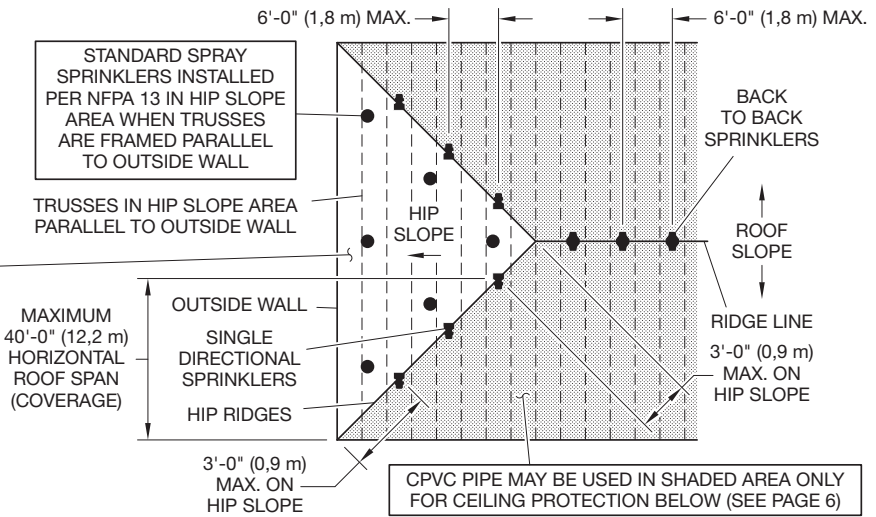
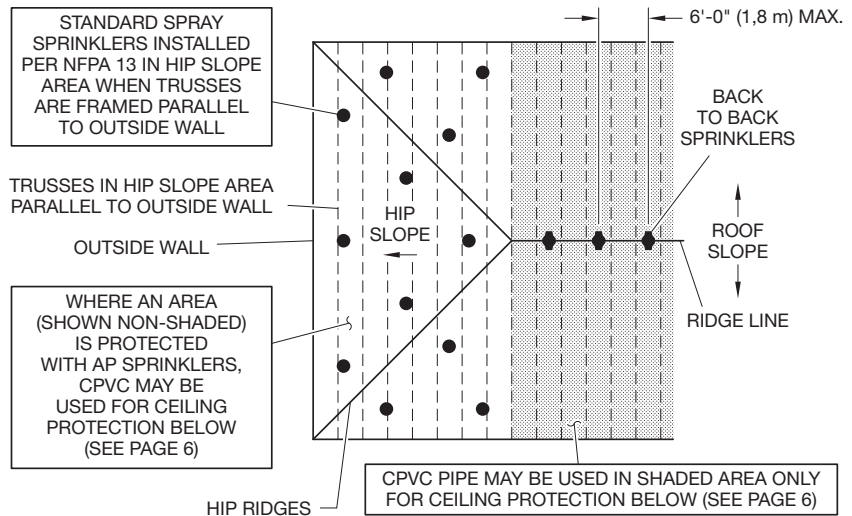


FIGURE 13B
HIP ROOF INSTALLATION
WITH TRUSSES FRAMED
PARALLEL TO OUTSIDE WALL
(SHOWN WITH STANDARD
SPRAY OR AP SPRINKLERS
IN HIP SLOPE & ADJACENT
AREAS TO HIP SLOPE)



Attic Spaces Greater Than 60 Feet (18,3m) up to 80 Feet (24,4m) Wide, (Ref. Figures 14 & 15)

Only 8.0 K, BB Sprinklers in conjunction with AP Sprinklers or Standard Spray Sprinklers can be used to protect attics up to 80 feet (24,4 m) wide.

NOTE

Attics over 80 feet (24,4 m) wide must use Standard Spray Sprinklers throughout because Attic Sprinklers have not been tested in this scenario.

For single ridge construction (Ref. Figure 14A & 14B), use 8.0K, BB Sprinklers to protect the center portion. AP Sprinklers (Ref. Fig. 14A) or Standard Spray Sprinklers (Ref. Fig. 14B) are then used to protect up to 10 feet (3,1 m) of width at the eaves beyond the maximum allowable 60 foot (18,3 m) span of the 8.0K, BB Sprinklers.

For hip roof construction (Ref. Figure 15), use 8.0K, BB Sprinklers in the center portion and HIP Sprinklers can be located down the entire hip. AP Sprinklers or Standard Spray Sprinklers are then used to protect up to 10 feet (3,1 m) of width at the eaves beyond the maximum allowable 60 foot (18,3 m) span of the 8.0K, BB Sprinklers, and the maximum allowable horizontal coverage of the HIP Sprinklers.

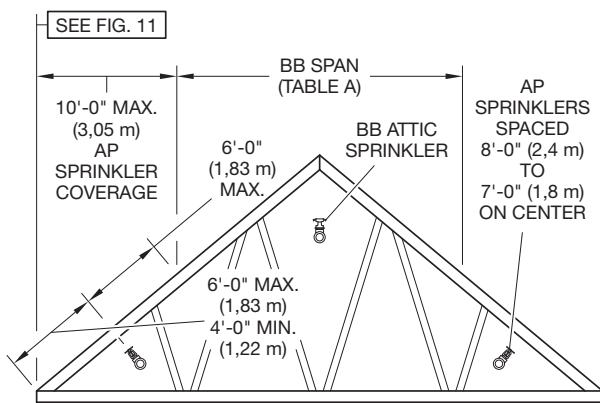


FIGURE 14A

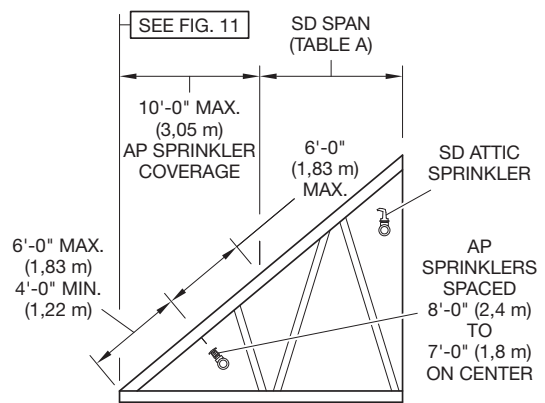


FIGURE 14B

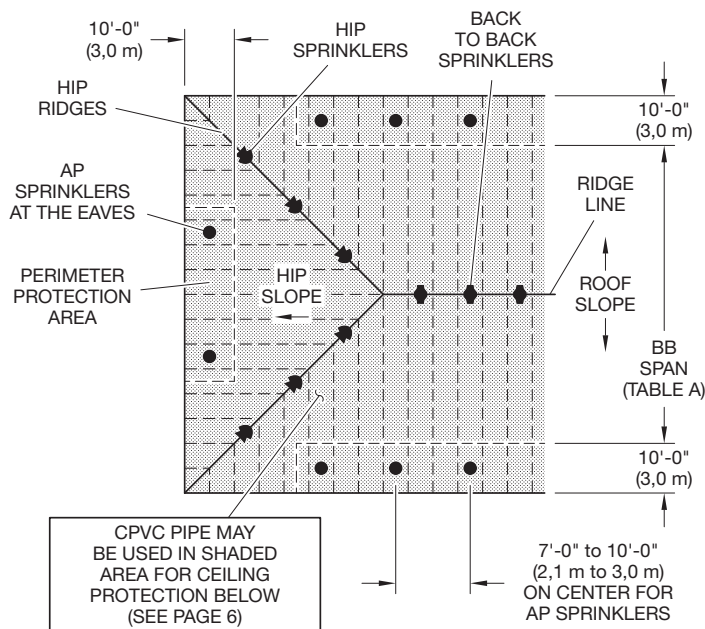


FIGURE 15

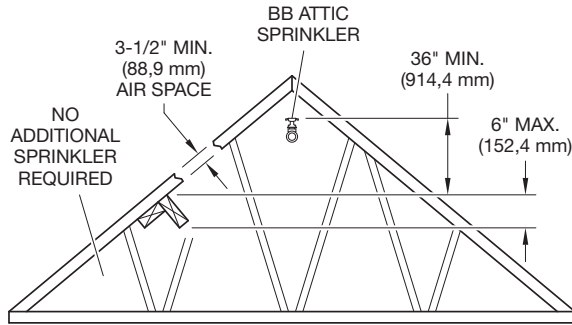


FIGURE 16A

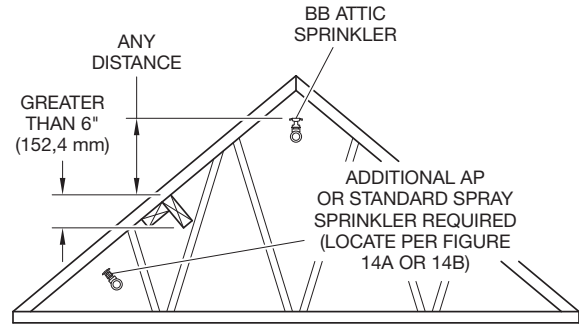


FIGURE 16B

There can be a maximum 6 inch (152,4 mm) high Horizontal Obstruction as long as it is 36 inches (914,4 mm), measured vertically, below the Attic Sprinkler. If the obstruction is closer or larger, there must be a sprinkler on the other side of the obstruction. Reference Figures 16A and 16B. This criteria does not limit the top chord of the trusses or the depth of the rafter, but does limit the obstructions that run across the trusses or rafters.

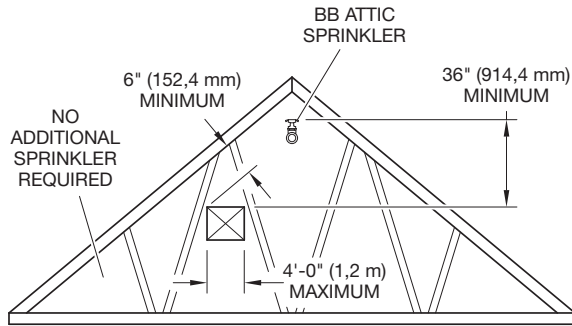


FIGURE 16C

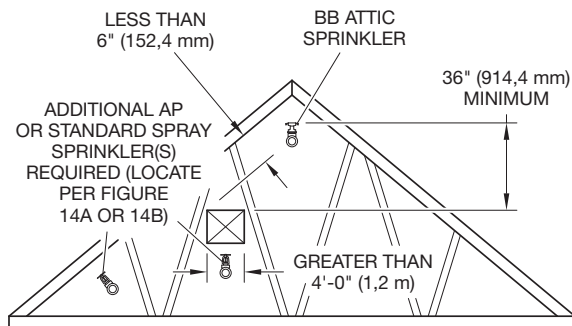


FIGURE 16D

If the Horizontal Obstruction is below the sprinkler, there must be 6 inches (152,4 mm) clearance over the top of the obstruction, and the obstruction must be 4 feet (1,2 m) or less in width to allow water to pass both over and under the obstruction. The clearance is measured perpendicular to and from the bottom of the rafter. If there is not 6 inches (152,4 mm) of clearance above the obstruction, a sprinkler must be located on the other side of the obstruction. If the obstruction is greater than 4 feet (1,2 m) in width, a sprinkler must be added below the obstruction. Reference Figures 16C and 16D, where the maximum spacing for AP Sprinklers is 12 feet (3,7 m) and Standard Spray Sprinklers is 15 feet (4,6 m).

Dimension A	Distance B	Additional Sprinkler Required Beyond Obstruction
Maximum Horizontal Dimension of Obstruction	Minimum Horizontal Distance to Obstruction	
All Vertical Obstructions	< 6" (152,4 mm)	YES
1/2"-1" (12,7 mm-25,4 mm)	6" (152,4 mm)	NO
1"-4" (25,4 mm-101,6 mm)	12" (304,8 mm)	NO
4"-8" (101,4 mm-203,2 mm)	24" (609,6 mm)	NO
8"-10" (203,2 mm-254,0 mm)	5'-0" (1,52 m)	NO
10"-20" (254,0 mm-508,0 mm)	10'-0" (3,05 m)	NO
20"-30" (508,0 mm-762,0 mm)	15'-0" (4,57 m)	NO
30"-40" (762,0 mm-1016,0 mm)	20'-0" (6,10 m)	NO
40"-48" (1016,0 mm-1219,2 mm)	25'-0" (7,62 m)	NO
> 48" (1219,2 mm)	Any Distance	YES

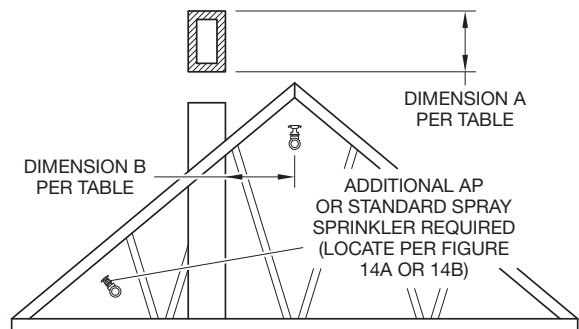


FIGURE 16E

For Vertical Obstructions, the maximum dimension of the obstruction is its width and the horizontal distance away from the obstruction is measured horizontally.

FIGURE 16 (1 OF 2)
OBSTRUCTIONS TO WATER DISTRIBUTION – BB, SD & HIP
(Obstructions to Water Distribution for Attic Sprinklers Differ from Standard Sprinklers as Shown)

Figure 16F
Area Outside of Mechanical Space or Similar Compartmental Space

When a BB Sprinkler is 36 inches (914,4 mm) or greater above the space, and 36 inches (914,4 mm) or greater clearance above the space is present, additional sprinklers are not needed.

When a BB Sprinkler is a 36 inches (914,4 mm) or greater above the space, and a 12 to 36 inches (304,8 mm to 914,4 mm) clearance above the space is present, Intermediate Level Standard Sprinklers are to be installed to protect the obstructed area.

Otherwise, the area beyond the mechanical space is to be protected as shown by installing Standard Spray Sprinklers as necessary — OR — by constructing a shear wall and installing SD Sprinklers.

Note: In all cases, the mechanical space or similar compartmented space is to be sprinklered per its respective hazard rating and separated from the light hazard attic space by construction that has a fire resistance rating based on the water supply duration required for the hazard rating within the mechanical space or similar compartmented space.

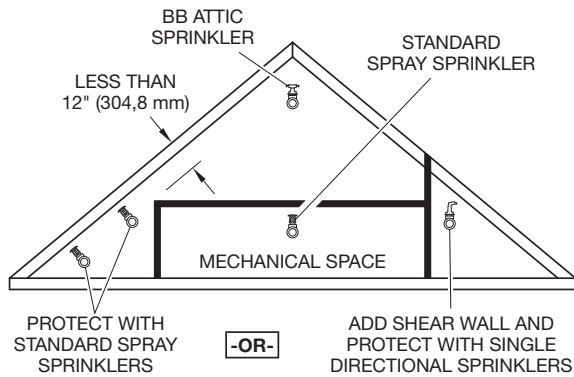
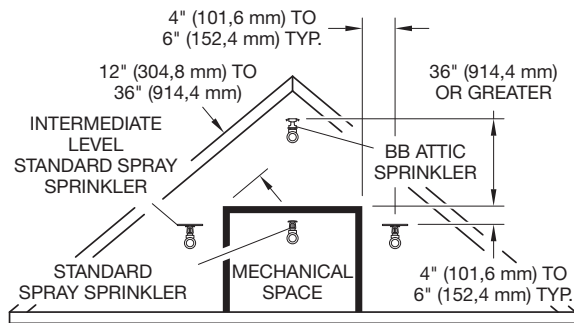
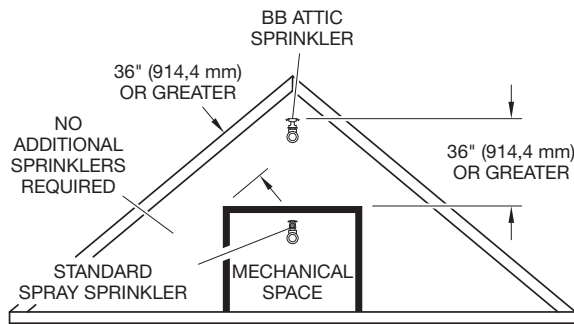


Figure 16G
Piggyback Trusses

When a BB Sprinkler can be installed below or between stiffeners and maintain the 16 to 22 inch (404,4 to 558,8 mm) distance to the peak, as well as the "V" and "H" clearance to the stiffeners, additional sprinklers are not required.

When the stiffeners are located a minimum of 12 inches (304,8 mm) below the BB Sprinkler, the stiffeners are 7-1/2 inches (190,5 mm) maximum in width, the openings are 12 inches (304,8 mm) minimum, and there is 70% minimum open area, additional sprinklers are not required.

Otherwise, additional sprinklers are required as shown.

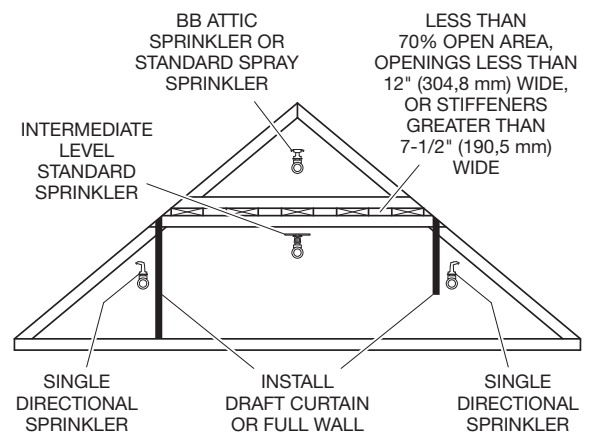
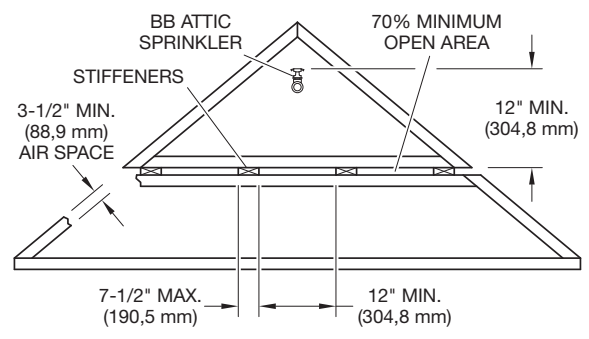
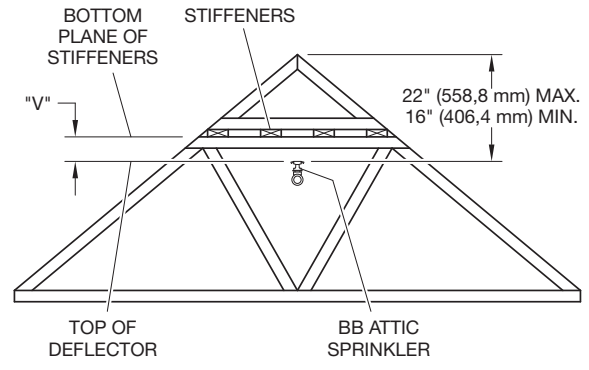
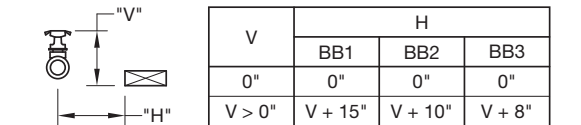
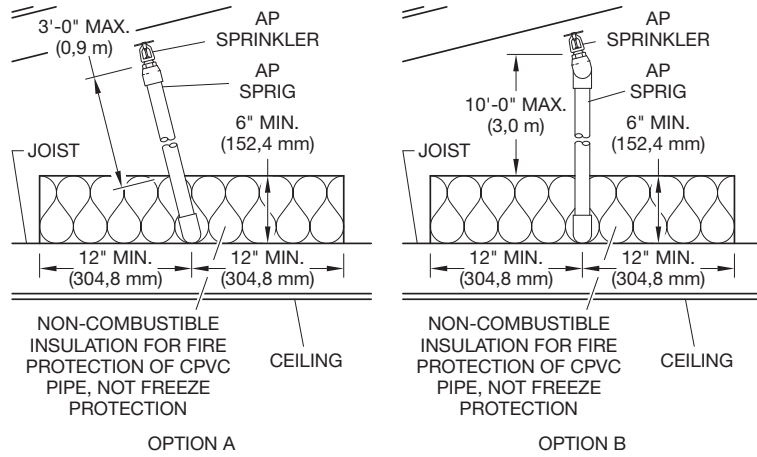
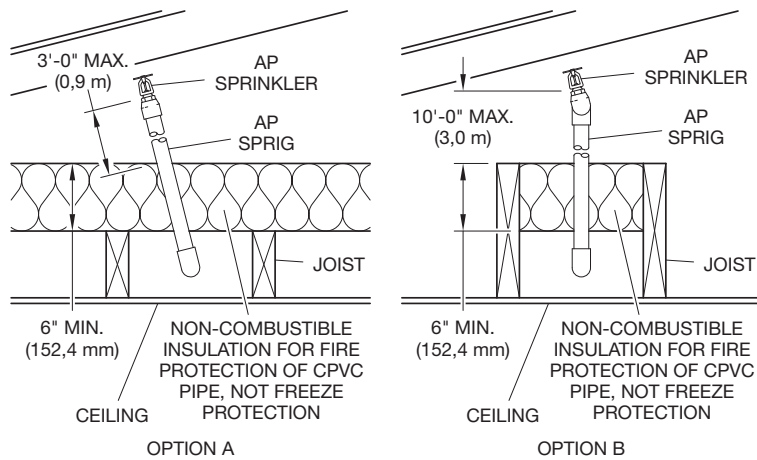


FIGURE 16 (2 OF 2)
OBSTRUCTIONS TO WATER DISTRIBUTION — BB, SD & HIP
(Obstructions to Water Distribution for Attic Sprinklers Differ from Standard Sprinklers as Shown)

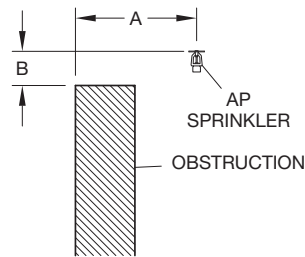
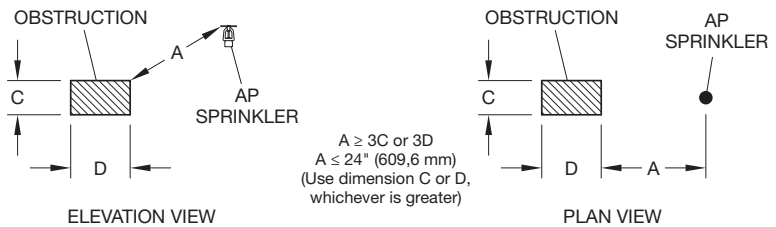
**FIGURE 17A
EXPOSED CPVC
WITH AP SPRINKLERS
AND
BRANCHLINE OVER JOISTS**



**FIGURE 17B
EXPOSED CPVC
WITH AP SPRINKLERS
AND
BRANCHLINE WITHIN JOISTS**



**FIGURE 18
OBSTRUCTIONS TO WATER
DISTRIBUTION FOR
MODEL AP SPRINKLERS**



Horizontal Distance (A)	Minimum Vertical Distance Below Deflector (B)
≤6" (≤152,4 mm)	3" (76,2 mm)
>6" to 9" (>152,4 mm to 228,6 mm)	4" (101,6 mm)
>9" to 12" (>228,6 mm to 304,8 mm)	6" (88,9 mm)
>12" to 15" (>304,8 mm to 381,0 mm)	8" (203,2 mm)
>15" to 18" (>381,0 mm to 457,2 mm)	9-1/2" (241,3 mm)
>18" to 24" (>457,2 mm to 609,6 mm)	12-1/2" (317,5 mm)
>24" to 30" (>609,6 mm to 762,0 mm)	15-1/2" (393,7 mm)
>30" (>762,0 mm)	18" (457,2 mm)

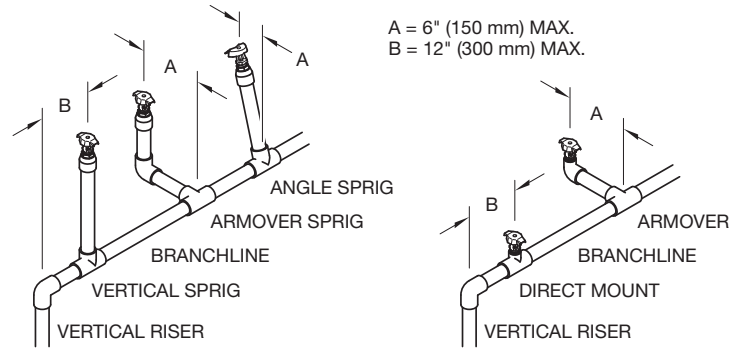


FIGURE 19
EXPOSED CPVC WITH BB, SD, AND HIP SPRINKLERS

HYDRAULIC CALCULATIONS

Attic sprinklers must be calculated in conformance with these guidelines. In all cases, the design area shall include the most hydraulically demanding sprinklers. More than one set of calculations may be required to prove different situations.

For individual areas requiring more than four AP Sprinklers, the maximum area of attic protected by AP Sprinklers is limited to 3000 ft² (279 m²) in any single area. Areas must be separated by a minimum of 15 feet (4,6 m) by an area protected by BB, SD, or HIP Sprinklers, in order to be considered separate areas.

The hydraulic calculations have been divided into three parts as follows:

- **FIGURE 20-A: “Attics Protected Entirely By BB, SD, and HIP Attic Sprinklers”.**

- 20-A-1 (Page 18) BB Sprinklers
- 20-A-2 (Page 18) BB and HIP Sprinklers
- 20-A-3 (Page 19) BB and SD Sprinklers
- 20-A-4 (Page 19) SD Sprinklers
- 20-A-5 (Page 19) SD and HIP Sprinklers
- 20-A-6 (Page 19) HIP Sprinklers

- **FIGURE 20-B: “Attics Protected With A Mixture Of BB, SD, and HIP Attic Sprinklers And AP Sprinklers”.**

- 20-B-1 (Page 20) SD Sprinklers & AP Sprinklers At The Ridge
- 20-B-2 (Page 20) BB Sprinklers & AP Sprinklers At The Eaves or Beyond An Obstruction
- 20-B-3 (Page 21) BB Sprinklers & AP Sprinklers At The Hip
- 20-B-4 (Page 21) BB Sprinklers, SD Sprinklers, HIP Sprinklers, & AP Sprinklers At The Hip
- 20-B-5 (Page 22) BB, SD, or HIP Sprinklers & AP Sprinklers in a Dormer, at a Cross, or at an Ell
- 20-B-6 (Page 22) BB,SD, or HIP Sprinklers & AP Sprinklers Separated By Compartmentalization

- **FIGURE 20-C: “Attics Protected With A Mixture Of BB, SD, and HIP Attic Sprinklers And Standard Spray Sprinklers”.**

- 20-C-1 (Page 23) SD Sprinklers & Standard Spray Sprinklers At The Ridge
- 20-C-2 (Page 23) BB Sprinklers & Standard Spray Sprinklers At The Eaves or Beyond An Obstruction
- 20-C-3 (Page 24) BB Sprinklers & Standard Spray Sprinklers At The Hip
- 20-C-4 (Page 25) BB Sprinklers, SD Sprinklers, HIP Sprinklers, & Standard Spray Sprinklers At The Hip
- 20-C-5 (Page 26) BB, SD, or HIP Sprinklers & Standard Spray Sprinklers in a Dormer, at a Cross, or at an Ell
- 20-C-6 (Page 26) BB, SD, or HIP Sprinklers & Standard Sprinklers Separated By Compartmentalization



MODEL BB
BACK TO BACK



MODEL SD
SINGLE DIRECTIONAL



MODEL HIP

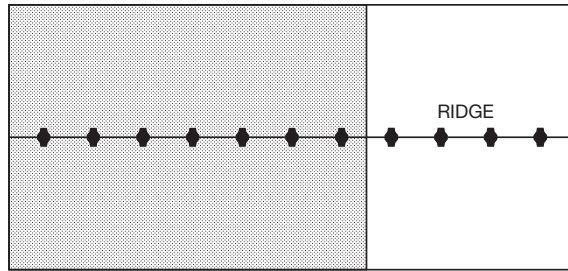


MODEL AP
OR STANDARD
SPRAY

FIGURE 20
HYDRAULIC CALCULATIONS

FIGURE 20-A-1. BB SPRINKLERS

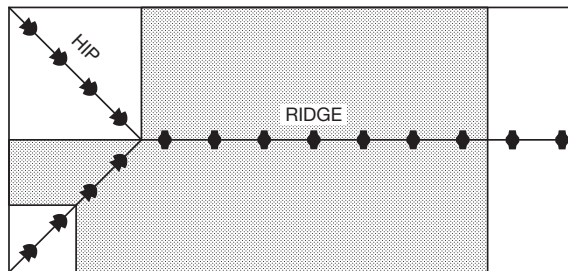
- Wet Systems — Calculate the most demanding five sprinklers.
- Dry Systems — Calculate the most demanding seven sprinklers (see adjacent figure).



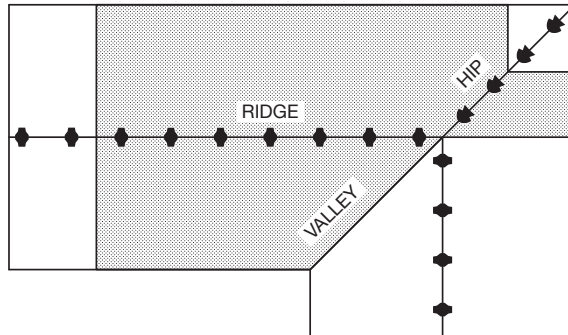
DRY SYSTEM SHOWN

FIGURE 20-A-2. BB AND HIP SPRINKLERS

- Wet Systems — Calculate the most demanding five sprinklers.
- Dry Systems — Calculate the most demanding seven sprinklers, and then calculate the most demanding contiguous nine sprinklers with a maximum of seven to be BB Sprinklers (see adjacent figures). Use the most demanding calculation.



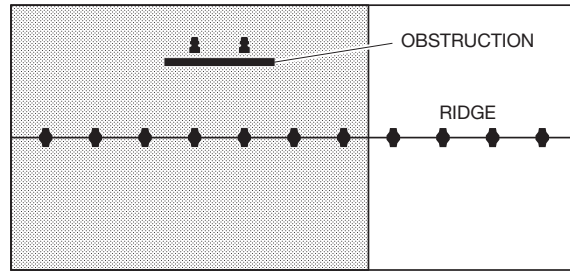
DRY SYSTEM SHOWN



DRY SYSTEM SHOWN

FIGURE 20-A-3. BB AND SD SPRINKLERS

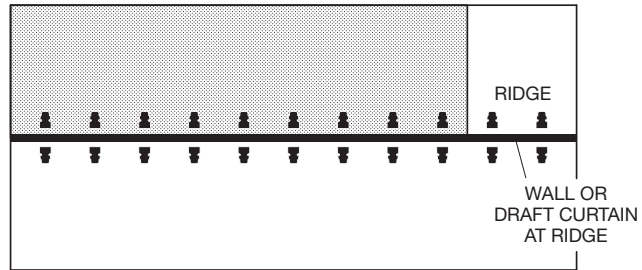
- Wet Systems — Calculate the most demanding five BB Sprinklers plus two SD Sprinklers.
- Dry Systems — Calculate the most demanding seven BB Sprinklers plus up to two SD Sprinklers (see adjacent figure).



DRY SYSTEM SHOWN

FIGURE 20-A-4. SD SPRINKLERS

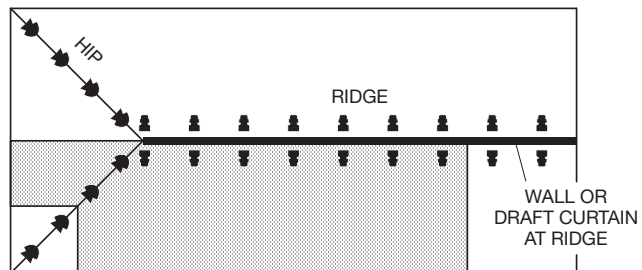
- Wet Systems — Calculate the most demanding five SD Sprinklers.
- Dry Systems — Calculate the most demanding nine SD Sprinklers (see adjacent figure).



DRY SYSTEM SHOWN

FIGURE 20-A-5. SD AND HIP SPRINKLERS

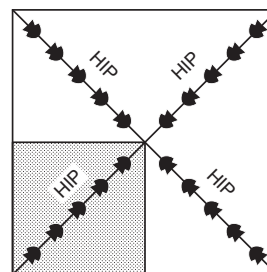
- Wet Systems — Calculate the most demanding five sprinklers.
- Dry Systems — Calculate the most demanding nine sprinklers with a maximum of seven to be SD Sprinklers (see adjacent figure).



DRY SYSTEM SHOWN

FIGURE 20-A-6. HIP SPRINKLERS

- Wet Systems — Calculate the most demanding five sprinklers (see adjacent figure).
- Dry Systems — Calculate the most demanding nine sprinklers.



WET SYSTEM SHOWN

FIGURE 20-B-1. SD SPRINKLERS & AP SPRINKLERS AT THE RIDGE

- Wet Systems — Calculate the most demanding five sprinklers of one type. Use the most demanding calculation.
- Dry Systems — Calculate the most demanding nine SD Sprinklers, and then calculate the most demanding seven AP Sprinklers. Use the most demanding calculation (see adjacent figure).

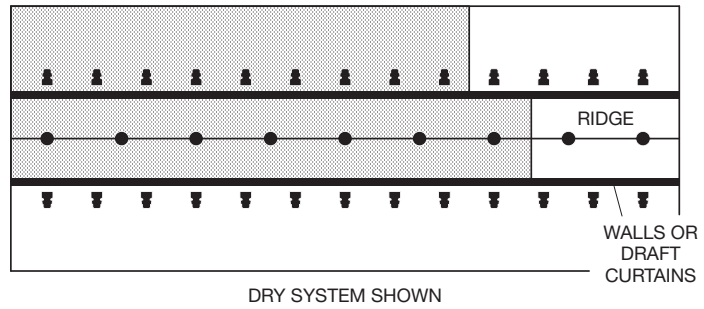
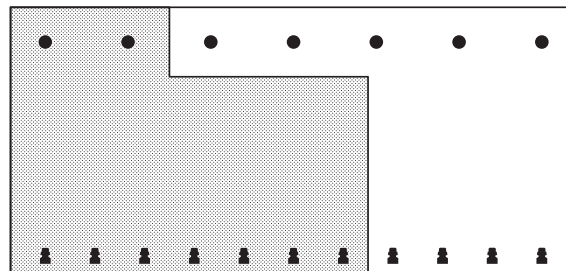
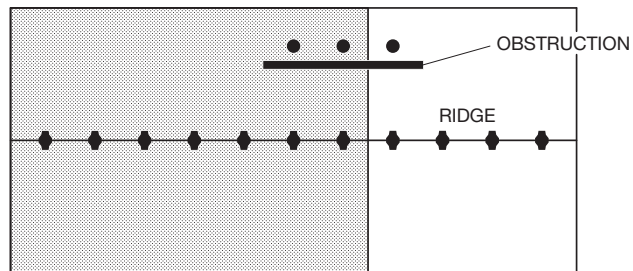
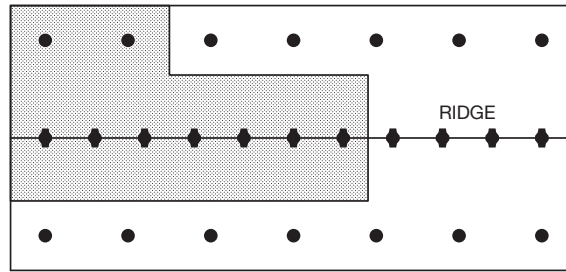


FIGURE 20-B-2. BB OR SD SPRINKLERS & AP SPRINKLERS AT THE EAVES OR BEYOND AN OBSTRUCTION

- Wet Systems — Calculate the most demanding five BB or SD Sprinklers plus up to two most demanding AP Sprinklers.
- Dry Systems — Calculate the most demanding seven BB or SD Sprinklers plus up to two most demanding AP Sprinklers (see adjacent figures).



**FIGURE 20-B-3.
BB SPRINKLERS & AP SPRINKLERS AT THE HIP**

Where the total number of AP Sprinklers at the hip is greater than four:

- Wet Systems — Calculate the most demanding five BB Sprinklers plus the two most demanding AP Sprinklers, and then calculate the most demanding area up to 1500 ft² (137 m²) having AP Sprinklers (e.g., Area 2 in adjacent upper figure). Use the most demanding calculation.
- Dry Systems — Calculate the most demanding seven BB Sprinklers plus the two most demanding AP Sprinklers, and then calculate the most demanding area up to 1950 ft² (181 m²) having AP Sprinklers (e.g., Area 2 in adjacent upper figure). Use the most demanding calculation.

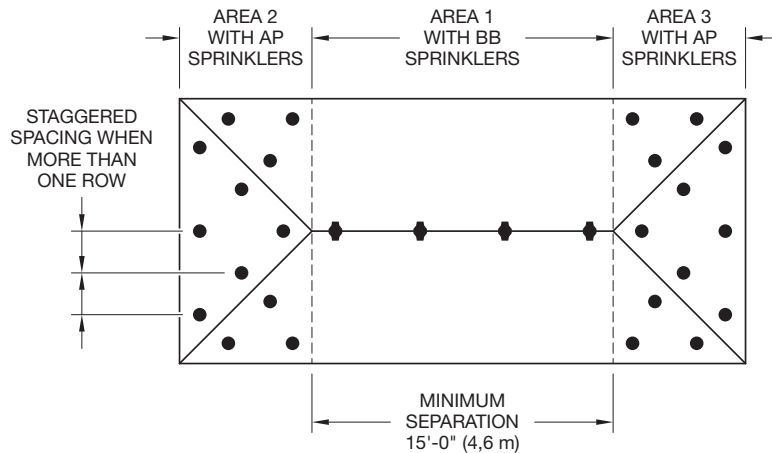


FIGURE 20-B-4. BB SPRINKLERS, SD SPRINKLERS, HIP SPRINKLERS, & AP SPRINKLERS AT THE HIP

Where the total number of AP Sprinklers at the hip is four or less:

- Wet Systems — Calculate the most demanding five BB, SD, or HIP Sprinklers plus up to two most demanding AP Sprinklers.
- Dry Systems — Calculate the most demanding nine BB, SD, or HIP Sprinklers plus up to two most demanding AP Sprinklers (Of the nine BB, SD, or HIP Sprinklers, calculate up to a maximum of seven BB Sprinklers, see adjacent upper figure).

Where the total number of AP Sprinklers at the hip is greater than four:

- Wet Systems — Calculate up to the most demanding five BB, SD, or HIP Sprinklers plus the two most demanding AP Sprinklers, and then calculate the most demanding area up to 1500 ft² (137 m²) having AP Sprinklers (e.g., Area 2). Use the most demanding calculation.
- Dry Systems — Calculate up to the most demanding nine BB, SD, or HIP Sprinklers plus the two most demanding AP Sprinklers, and then calculate the most demanding area up to 1950 ft² (181 m²) having AP Sprinklers (e.g., Area 2). Use the most demanding calculation.

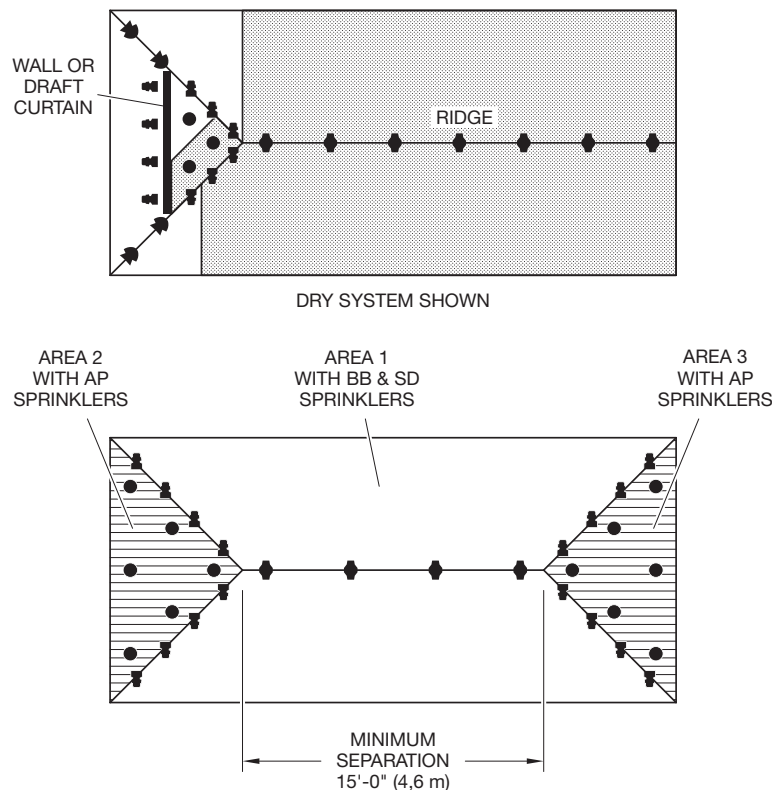


FIGURE 20-B-5. BB, SD, OR HIP SPRINKLERS & AP SPRINKLERS IN A DORMER, AT A CROSS, AT A HIP, OR AT AN ELL

Where the quantity of AP Sprinklers in each dormer, cross, or ell is four or less (see adjacent figure) and all of the dormers, crosses and ells meet the maximum four AP Sprinkler criteria, calculate the BB, SD, or HIP Sprinkler demand as described in Part A-1 thru A-6 or Part B-1 thru B-4, plus up to two of the most demanding AP Sprinklers in the dormer, cross, or ell that is adjacent to the BB, SD, or HIP Sprinklers that are being included in the demand calculation.

Where the quantity of AP Sprinklers in any dormer, cross, or ell is greater than four, refer to Figure B-3.

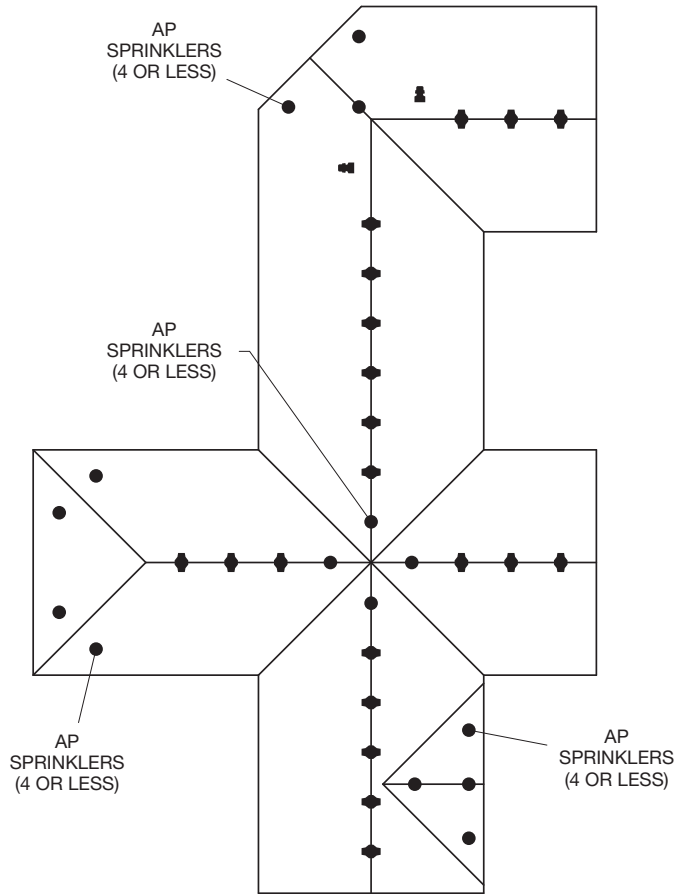


FIGURE 20-B-6. BB, SD, OR HIP SPRINKLERS & AP SPRINKLERS SEPARATED BY COMPARTMENTALIZATION

- Wet Systems — Calculate the BB, SD, or HIP Sprinkler demand as described in Part A-1 thru A-6 or Part B-1 thru B-4, and then calculate the most demanding area up to 1500 ft² (137 m²) having AP Sprinklers. Use the most demanding calculation (see adjacent figure).
- Dry Systems — Calculate the BB, SD, or HIP Sprinkler demand as described in Part A-1 thru A-6 or Part B-1 thru B-4, and then calculate the most demanding area up to 1950 ft² (181 m²) having AP Sprinklers. Use the most demanding calculation (see adjacent figure).

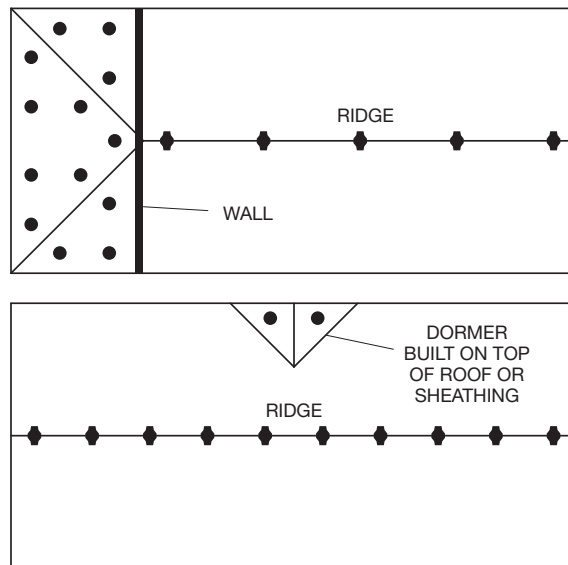


FIGURE 20-C-1. SD SPRINKLERS & STANDARD SPRAY SPRINKLERS AT THE RIDGE

- Wet Systems — Calculate the most demanding five sprinklers of one type. Use the most demanding calculation.
- Dry Systems — Calculate the most demanding nine SD Sprinklers, and then calculate the most demanding seven Standard Spray Sprinklers. Use the most demanding calculation (see adjacent figures).

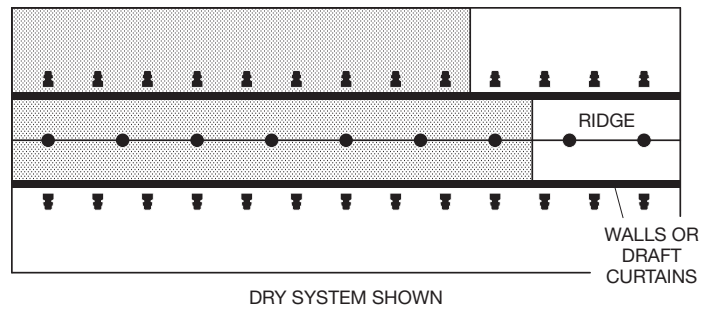
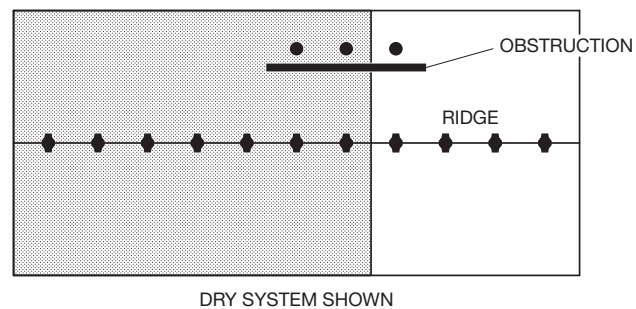


FIGURE 20-C-2. BB SPRINKLERS & STANDARD SPRAY SPRINKLERS BEYOND AN OBSTRUCTION

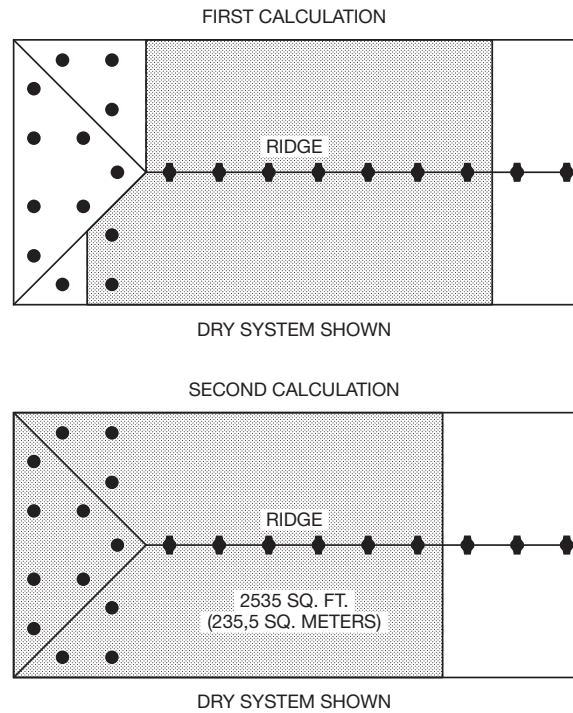
- Wet Systems — Calculate the most demanding five BB Sprinklers plus up to two most demanding Standard Spray Sprinklers.
- Dry Systems — Calculate the most demanding seven BB Sprinklers plus up to two most demanding Standard Spray Sprinklers (see adjacent figures).



**FIGURE 20-C-3. BB SPRINKLERS
& STANDARD SPRAY SPRINKLERS AT THE HIP**

Where the total number of standard spray sprinklers at the hip is greater than four:

- Wet Systems - Calculate the most demanding five BB Sprinklers plus up to two most demanding Standard Spray Sprinklers, and then calculate the most demanding remote design area (including all sprinkler types) per NFPA 13 (i.e., area reduction for quick response and 30% increase for sloped ceilings). Use the most demanding calculation.
- Dry Systems - Calculate the most demanding seven BB Sprinklers plus up to two most demanding Standard Spray Sprinklers, and then calculate the most demanding design area (including all sprinkler types) per NFPA 13 (i.e., 30% increase for sloped ceilings and 30% increase for dry systems). Include all sprinkler types within this area (see adjacent figure). Use the most demanding calculation.



NOTE:
Dry Pipe = 1500 SQ. FT. (NFPA Light Hazard) x 1.3 x 1.3 = 2535 SQ. FT.

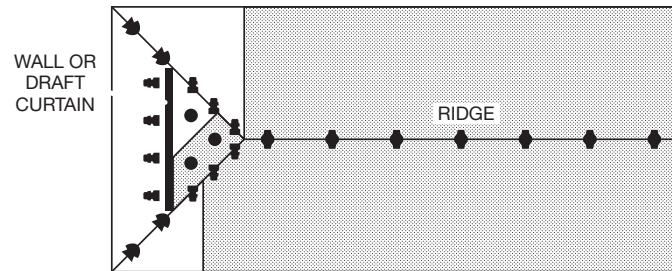
FIGURE 20-C-4. BB SPRINKLERS, SD SPRINKLERS, HIP SPRINKLERS, & STANDARD SPRAY SPRINKLERS AT THE HIP

Where the total number of Standard Spray Sprinklers at the hip is four or less:

- Wet Systems — Calculate the most demanding five BB, SD, or HIP Sprinklers plus up to two most demanding Standard Spray Sprinklers.
- Dry Systems — Calculate the most demanding nine BB, SD, or HIP Sprinklers plus up to two most demanding Standard Spray Sprinklers (Of the nine BB,SD, or HIP Sprinklers, calculate up to a maximum of seven BB Sprinklers, see adjacent upper figure).

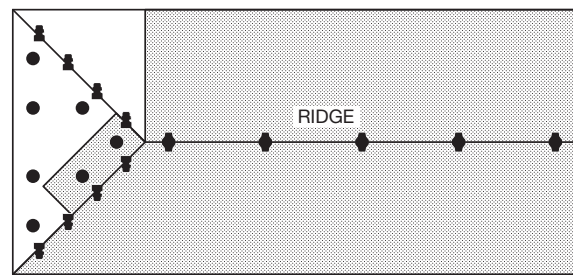
Where the total number of standard spray sprinklers at the hip is greater than four:

- Wet Systems — Calculate the most demanding five BB, SD, or HIP Sprinklers plus up to two most demanding Standard Spray Sprinklers, and then calculate the most demanding remote design area (including all sprinkler types) per NFPA 13 (i.e., area reduction for quick response & 30% increase for sloped ceilings). Use the most demanding calculation.
- Dry Systems — Calculate the most demanding nine BB, SD, or HIP Sprinklers plus up to two most demanding Standard Spray Sprinklers (Of the nine BB,SD, or HIP Sprinklers, calculate up to a maximum of seven BB Sprinklers, see adjacent upper figure), and then calculate the most demanding design area (including all sprinkler types) per NFPA 13 (i.e., 30% increase for sloped ceilings & 30% increase for dry systems). Include all sprinkler types within this area (see adjacent figure).



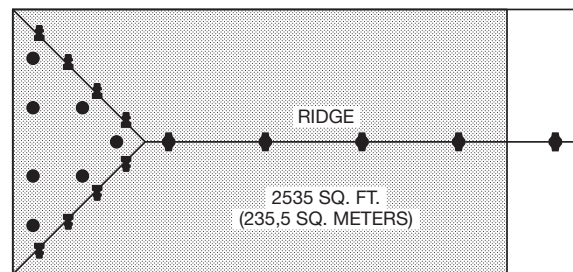
DRY SYSTEM SHOWN

FIRST CALCULATION



DRY SYSTEM SHOWN

SECOND CALCULATION



DRY SYSTEM SHOWN

NOTE:
Dry Pipe = 1500 SQ. FT. (NFPA Light Hazard) x 1.3 x 1.3 = 2535 SQ. FT.

FIGURE 20-C-5. BB, SD, OR HIP SPRINKLERS & STANDARD SPRAY SPRINKLERS IN A DORMER, AT A CROSS, AT A HIP, OR AT AN ELL

Where the quantity of standard spray sprinklers in each dormer, cross, or ell is four or less (see adjacent figure) and all of the dormers, crosses and ells meet the maximum four standard sprinkler criteria, calculate the Attic Sprinkler demand as described in Part A-1 thru A-6 or Part B-1 thru B-4, plus up to two of the most demanding standard spray sprinklers in the dormer, cross, or ell that is adjacent to the Attic Sprinklers that are being included in the demand calculation.

Where the quantity of standard spray sprinklers in any dormer, cross, or ell is greater than four, refer to Figure C-3.

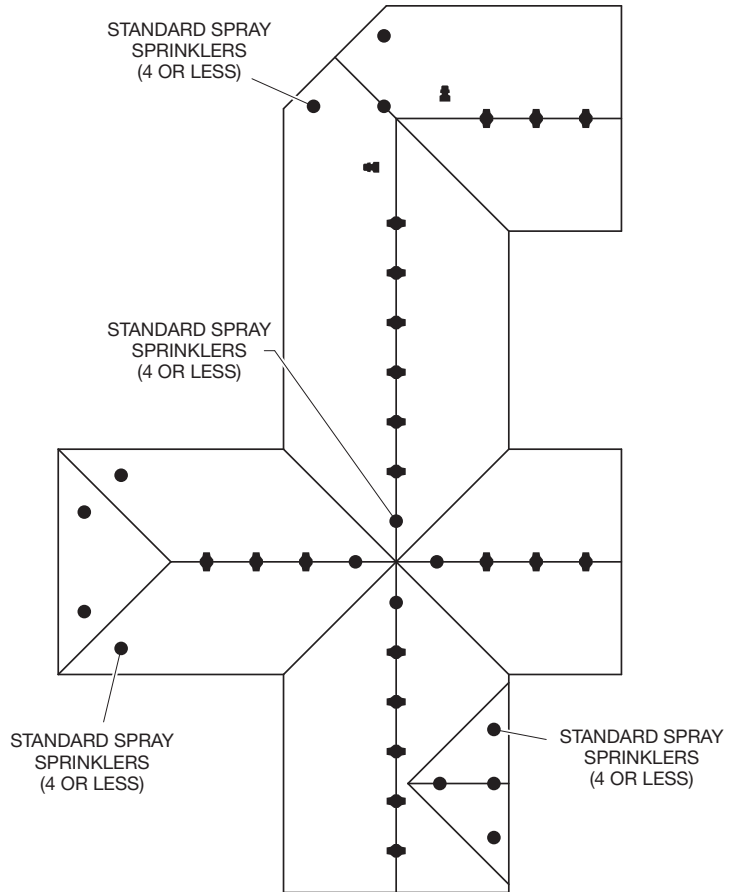
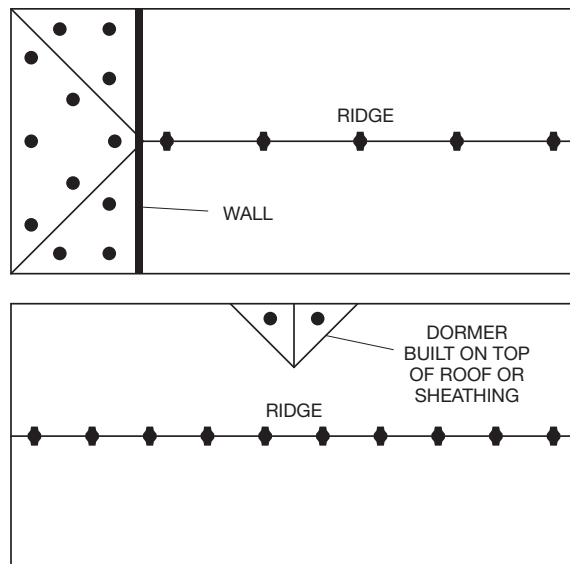
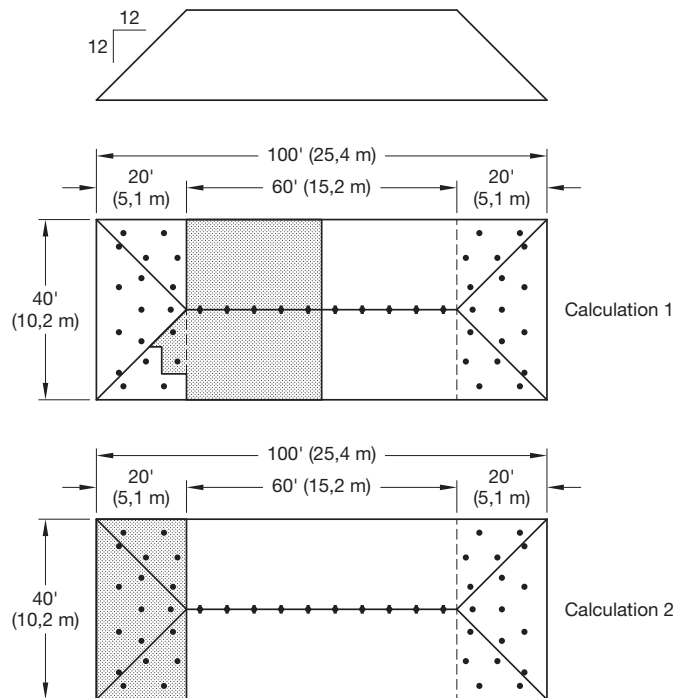


FIGURE 20-C-6. BB, SD, OR HIP SPRINKLERS & STANDARD SPRINKLERS SEPARATED BY COMPARTMENTALIZATION

Calculate the Attic Sprinkler demand as described in Part A-1 thru A-6 or Part C-1 thru C-4, and then calculate the Standard Spray Sprinklers per NFPA 13. Use the most demanding calculation (see adjacent figure).





**MODEL AP SPRINKLERS
WET PIPE SYSTEM**

(Ref. Figure 20-B-3)

Calculation 1:

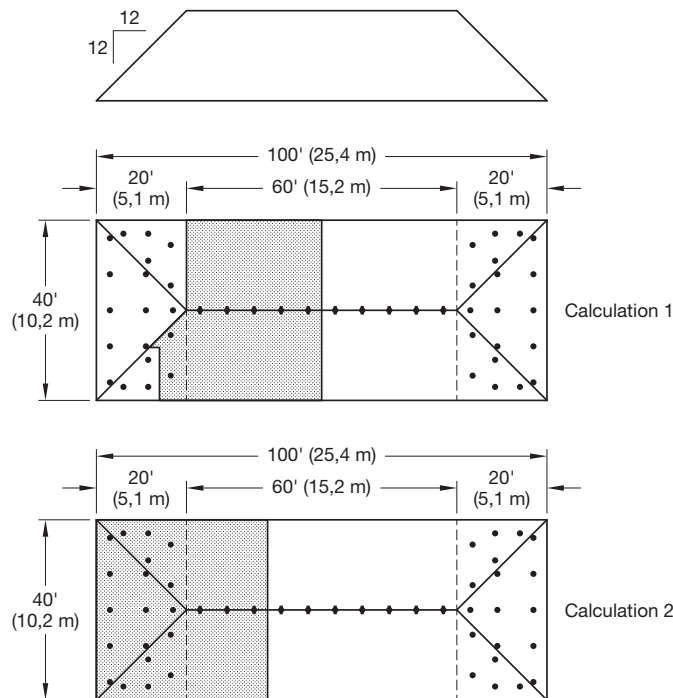
Calculate the most demanding five BB Sprinklers plus the two most demanding AP Sprinklers.

Calculation 2:

Calculate the most demanding area up to 1500 ft² having AP Sprinklers. In this case the design area will be 800 ft² (40 ft. x 20 ft.)

Use the most demanding calculation (i.e., for proving the adequacy of the water supply).

Where AP Sprinklers are utilized, CPVC pipe may be used to supply the AP Sprinklers, as well as the ceiling sprinklers below the AP Sprinklers (See Page 6).



**STANDARD SPRAY SPRINKLERS
WET PIPE SYSTEM**

(Ref. Figure 20-C-3)

Calculation 1:

Calculate the most demanding five BB Sprinklers plus the two most demanding Standard Spray Sprinklers.

Calculation 2:

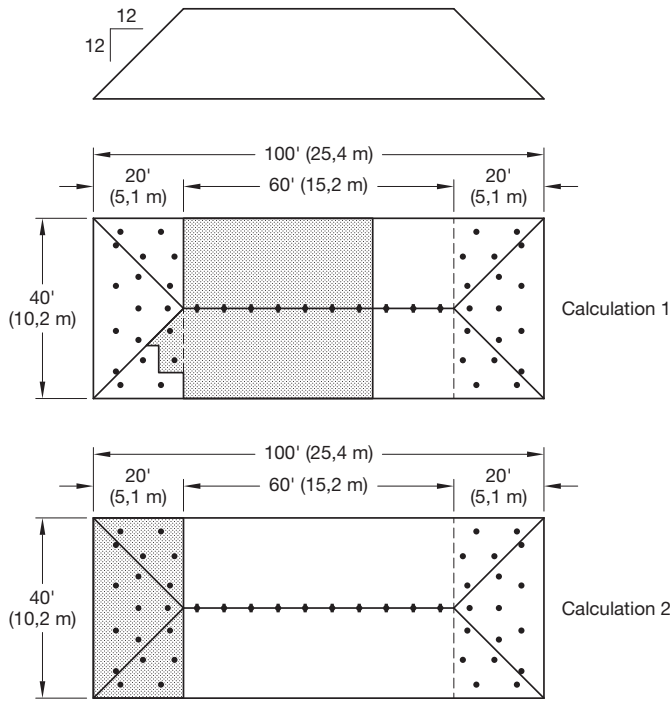
Calculate the most demanding remote design area (including all sprinklers types) per NFPA 13 (i.e., area reduction for quick response & 30% increase for sloped ceilings). In this case the theoretical design area is 1463 ft² (1500 ft² x 0.75* x 1.3). The actual design area, however, will need to be 1520 ft² to pick up the entire coverage area of the last BB Sprinkler.

Use the most demanding calculation (i.e., for proving the adequacy of the water supply).

Where Standard Sprinklers are utilized, CPVC pipe CANNOT be used to supply the Standard Spray Sprinklers or the ceiling sprinklers below the Standard Spray Sprinklers.

* A 25% reduction for 20 ft. ceiling.

**FIGURE 21
EXAMPLE FOR A WET PIPE SYSTEM HYDRAULIC DESIGN AREA COMPARISON
OF MODEL AP SPRINKLERS VERSES STANDARD SPRAY SPRINKLERS
WHERE MODEL AP OR STANDARD SPRAY SPRINKLERS ARE USED IN HIP AREAS
OUTSIDE THE SCOPE OF APPLICATION FOR MODEL BB BACK-TO-BACK SPRINKLERS**



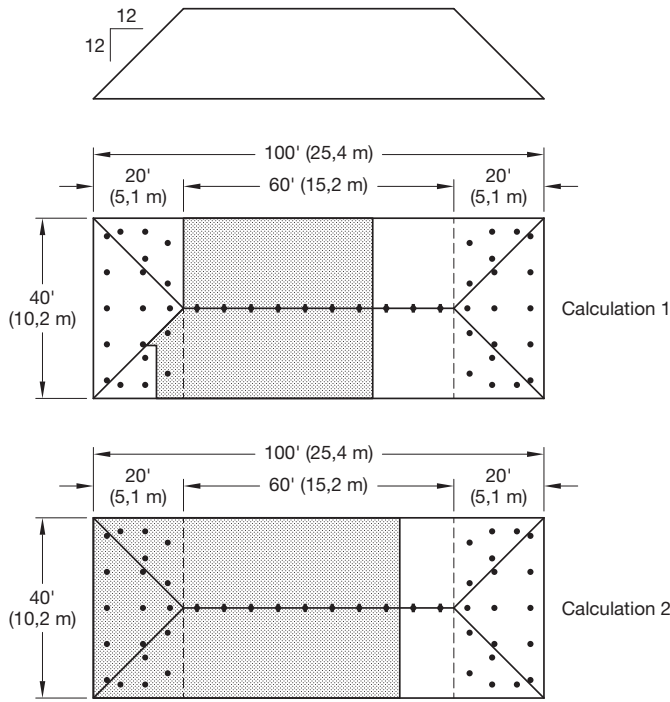
MODEL AP SPRINKLERS DRY PIPE SYSTEM

(Ref. Figure 20-B-3)

Calculation 1:
Calculate the most demanding seven BB Sprinklers plus the two most demanding AP Sprinklers.

Calculation 2:
Calculate the most demanding area up to 1950 ft² having AP Sprinklers. In this case the design area will be 800 ft² (40 ft. x 20 ft.)

Use the most demanding calculation (i.e., for proving the adequacy of the water supply).



STANDARD SPRAY SPRINKLERS DRY PIPE SYSTEM

(Ref. Figure 20-C-3)

Calculation 1:
Calculate the most demanding seven BB Sprinklers plus the two most demanding Standard Spray Sprinklers.

Calculation 2:
Calculate the most demanding remote design area (including all sprinklers types) per NFPA 13 (i.e., 30% increase for sloped ceilings & 30% increase for dry systems). In this case the theoretical design area will be 2535 ft² (1500 ft² x 1.3 x 1.3). The actual design area, however, will need to be 2720 ft² to pick up the entire coverage area of the last BB Sprinkler.

Use the most demanding calculation (i.e., for proving the adequacy of the water supply).

FIGURE 22
EXAMPLE FOR A DRY PIPE SYSTEM HYDRAULIC DESIGN AREA COMPARISON OF MODEL AP SPRINKLERS VERSES STANDARD SPRAY SPRINKLERS WHERE MODEL AP OR STANDARD SPRAY SPRINKLERS ARE USED IN HIP AREAS OUTSIDE THE SCOPE OF APPLICATION FOR MODEL BB BACK-TO-BACK SPRINKLERS