

### 3.5 LOCAL MANUAL ACTUATOR

(PART No. 304.205.003)

The Local Manual Actuator is used to mechanically operate the system at the container position. When fitting it is only necessary for the unit to be hand-tight.

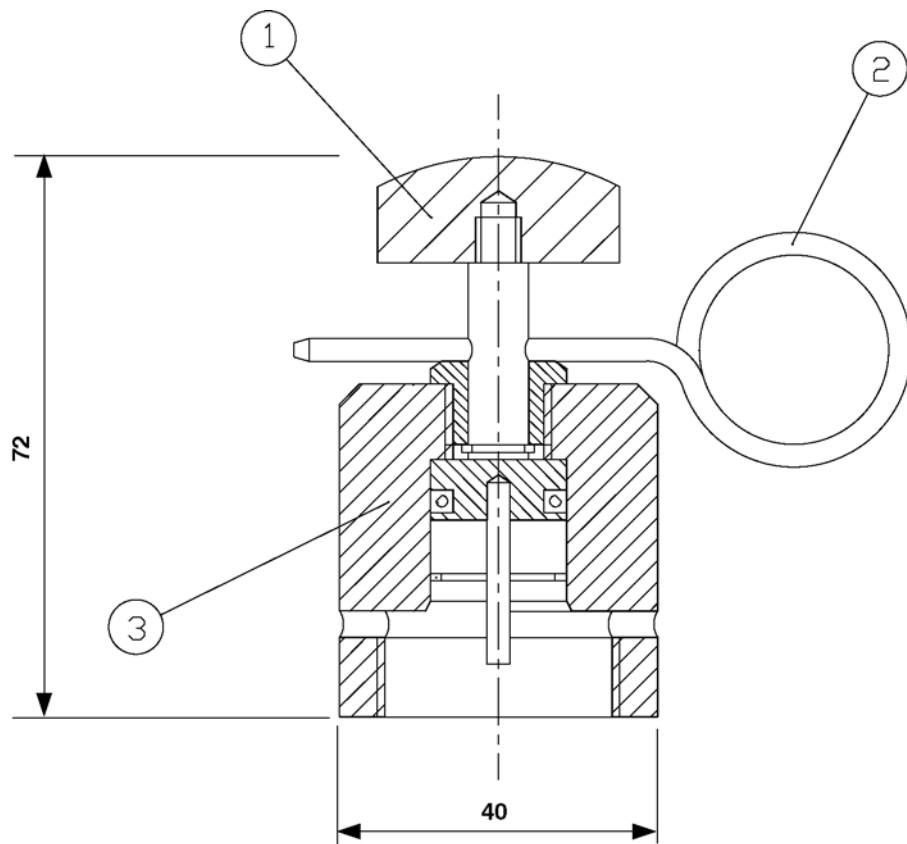
Accidental manual release is prevented by means of a steel safety pin. The steel safety pin must be removed to allow the use of the local manual actuator.

After removing the safety pin, manual operation is caused by depressing the strike knob.

The unit is designed so that it may be fitted directly onto the top of the container valve or be used in conjunction with a solenoid actuator in which case it fits directly on top of the solenoid actuator. Depressing the strike knob causes the central pin to move downwards onto the container schrader valve or onto the central pin of the solenoid actuator which in turn opens the container schrader valve.

The central pin must be in the retracted position before the local manual actuator is fitted otherwise the container valve will be operated and the contents discharged.

A modified version of the local manual actuator is available to order to allow both local and pneumatic operation of the container.



Item	Description
1	Strike Knob
2	Safety Pin
3	Actuator Body

**Part No. 304-205-003 Local Manual Actuator**